

JVC

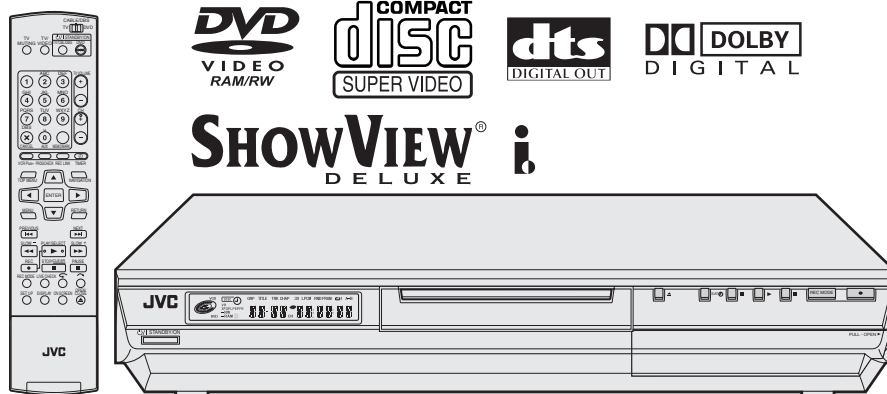
SERVICE MANUAL

DVD VIDEO RECORDER

DR-M10SEF, DR-M10SEK DR-M10SE, DR-M10SER DR-M10BE

Area Suffix

EK	-----	U.K.
EF	-----	France
ER	----	Russian Federation
E	-----	Continental Europe Northern Europe



Since the whole mechanism assembly unit is replaced, the DVD recorder mechanism of this unit need not be adjusted.

TABLE OF CONTENTS

1	PRECAUTION.....	1-3
2	SPECIFIC SERVICE INSTRUCTIONS.....	1-5
3	DISASSEMBLY	1-6
4	ADJUSTMENT	1-9
5	TROUBLESHOOTING	1-10

SPECIFICATION

GENERAL	
Power requirement	AC 220 V - 240 Vd, 50 Hz/60 Hz
Power consumption	Power on : 33 W Power off : 17.6 W
Temperature	Operating : 5°C to 40°C Storage : -20°C to 60°C
Operating position	Horizontal only
Dimensions (W × H × D)	435 mm × 70 mm × 346 mm
Weight	4.5 kg
VIDEO/AUDIO	
Recordable disc	DVD-RAM 12 cm : (4.7 GB/9.4 GB)
	DVD-RAM 8 cm : (1.4 GB/2.8 GB)
	DVD-R 12 cm:(4.7 GB, 8 cm: 1.4 GB for General Ver. 2.0)
	DVD-RW 4.7 GB for Ver. 1.0/1.1
Recording format	DVD-RAM DVD Video Recording format
	DVD-R DVD-Video format
	DVD-RW DVD-Video format, DVD Video Recording format
Recording time	Maximum 8 hours (with 4.7 GB disc) (XP) : Approx. 1 hour, (SP) : Approx. 2 hours, (LP) : Approx. 4 hours, (EP) : Approx. 6 hours, (FR) : Approx. 1 hour - 8 hours
Playable disc	DVD-RAM 12 cm : (4.7 GB/9.4 GB)
	DVD-RAM 8 cm : (1.4 GB/2.8 GB)
	DVD-R 12 cm:(4.7 GB, 8 cm: 1.4 GB for General Ver. 2.0)
	DVD VIDEO, DVD-RW 4.7 GB
	Music CD (CD-DA)
	Video CD CD-R/RW (CD-DA, Video CD/SVCD formatted discs)
Audio recording system	Dolby Digital (2 ch) Linear PCM (XP mode only)
Video recording compression system	MPEG2 (CBR/VBR)
Input/Output	
S-video input	Y : 0.8 - 1.2 Vp-p, 75 Ω C : 0.2 - 0.4 Vp-p, 75 Ω
	S-video output Y : 1.0 Vp-p, 75 Ω C : 0.3 Vp-p, 75 Ω
Video input	0.5 - 2.0 Vp-p, 75 Ω (pin jack)
Video output	1.0 Vp-p, 75 Ω (pin jack)
Audio input	-8 dB, 50 kΩ (pin jack) Corresponding to mono (left)
Audio output	-8 dB, 1 kΩ (pin jack)
i.Link	4-pin for DV input
Component video output	Y : 1.0 Vp-p, 75 Ω PB/PR : 0.7 Vp-p, 75 Ω Corresponding to copy protection
	Optical -18 dBm, 660 nm
Coaxial	0.5Vp-p,75ohms Corresponding to Dolby Digital and DTS Digital Surround Bit stream Selectable in digital audio output setting menu
TUNER/TIMER	
Signal system	PAL-type colour signal and CCIR monochrome signal, 625 lines 50 fields
TV channel storage capacity	99 positions (+AUX position)
Tuning system	Frequency synthesized tuner
Channel coverage	VHF 47 MHz - 89 MHz/104 MHz - 300 MHz/302MHz-470MHz
	UHF 470 MHz - 862 MHz
Memory backup time	Approx. 60 min.
ACCESSORIES	
Provided accessories	RF cable, 21-pin SCART cable, Satellite Controller, Infrared remote control unit, "R6" battery × 2

Specifications shown are for SP mode unless otherwise specified.
E. & O.E. Design and specifications subject to change without notice.

1.5 Important for laser products

1.CLASS 1 LASER PRODUCT


2.DANGER : Invisible laser radiation when open and interlock failed or defeated. Avoid direct exposure to beam.

3.CAUTION : There are no serviceable parts inside the Laser Unit. Do not disassemble the Laser Unit. Replace the complete Laser Unit if it malfunctions.

4.CAUTION : The CD,MD and DVD player uses invisible laser radiation and is equipped with safety switches which prevent emission of radiation when the drawer is open and the safety interlocks have failed or are defeated. It is dangerous to defeat the safety switches.

5.CAUTION : If safety switches malfunction, the laser is able to function.

6.CAUTION : Use of controls, adjustments or performance of procedures other than those specified here in may result in hazardous radiation exposure.

 **CAUTION** Please use enough caution not to see the beam directly or touch it in case of an adjustment or operation check.

CAUTION : Visible and invisible laser radiation when open and interlock failed or defeated.
AVOID DIRECT EXPOSURE TO BEAM.

ADVARSEL : Synlig og usynlig laserstråling når maskinen er åben eller interlocken fejler. Undgå direkte eksponering til stråling.

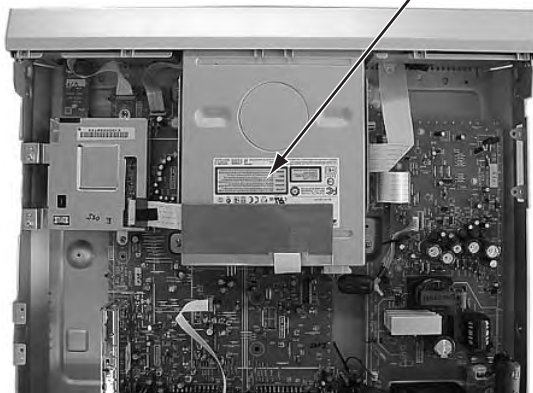
VARNING : Synlig och osynlig laserstråling när den öppnas och spärren är urkopplad. Betrakta ej strålen.

VARO : Avattaessa ja suojalukitus ohitettuna tai viallisena olet alttiina näkyvälle ja näkymättömälle lasersäteilylle. Vältä säteen kohdistumista suoraan itseesi.

REPRODUCTION AND POSITION OF LABEL and PRINT

WARNING LABEL and PRINT

On mechaism assembly



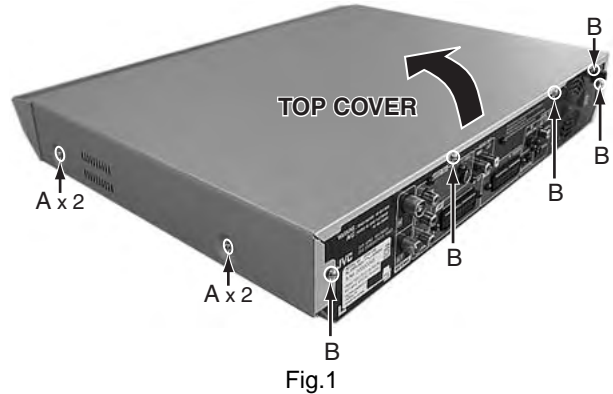
CAUTION VISIBLE AND INVISIBLE LASER RADIATION WHEN OPEN. AVOID EXPOSURE TO BEAM. DO NOT STARE INTO BEAM OR VIEW DIRECTLY WITH OPTICAL INSTRUMENTS.
ADVARSEL SYNLIG OG USYNLIG LASERSTRÅLING VED ÅBNING. UNDGA UDSÆTTELSE FOR STRÅLING SE IKKE IND I STRÅLEN - HELLER IKKE MED OPTISKE INSTRUMENTER.
ADVARSEL SYNLIG OG USYNLIG LASERSTRÅLING NÅR DEKSEL ÅPNES. UNDGA EKSPONERING FOR STRÅLEN STIRR IKKE INN I STRÅLEN ELLER SE DIREKTE MED OPTISKE INSTRUMENTER.
VARO! AVATTAESSA OLET ALTTIINA NÄKYVÄÄ JA NÄKYMÄTÖN LASERSÄTEILYLLE. ÄLÄ TUIJOTA SÄTEESEEN ÄLÄKÄ KATSO SITÄ OPTISEN LAITTEEN LÄPI.
VARNING SYNLIG OCH OSYNLIG LASERSTRÅLNING NÅR DENNA DEL ÄR ÖPPNAD. STRÅLEN ÄR FARLIG STIRRA EJ IN I STRÅLEN OCH BETRAKTA EJ STRÅLEN MED OPTISKA INSTRUMENT.

SECTION 3 DISASSEMBLY

3.1 Main body section

3.1.1 Remove the top cover (See figure 1)

- (1) Remove the four screws **A** attaching the top cover on both sides of the main body.
- (2) Remove the five screws **B** attaching the top cover on the back of the main body.
- (3) Raise the both sides and lower part of the rear of the top cover, with opening them slightly in an outward direction. And the top cover will be removed.

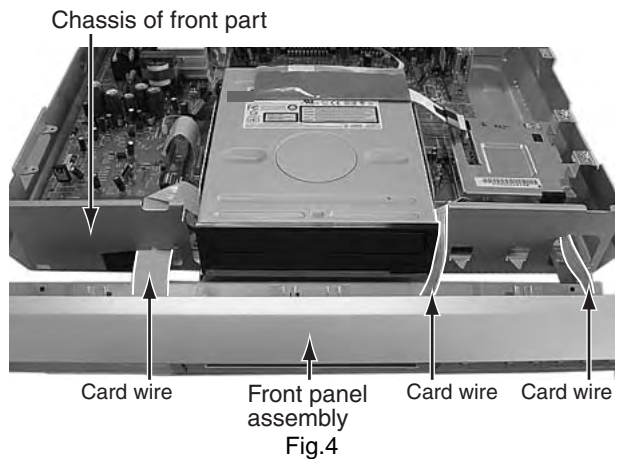
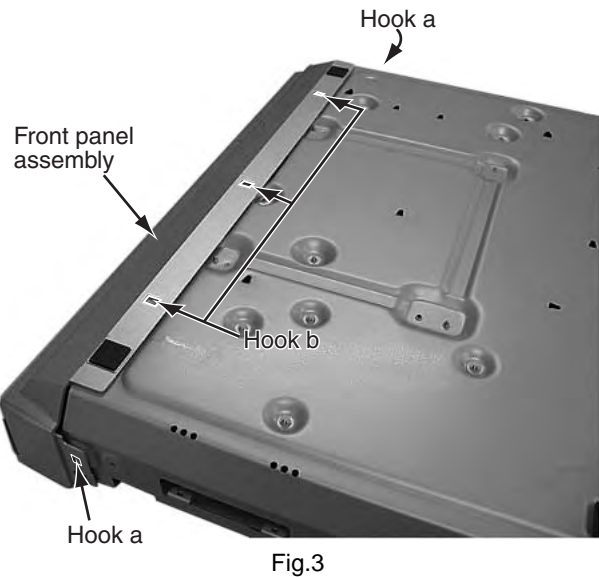
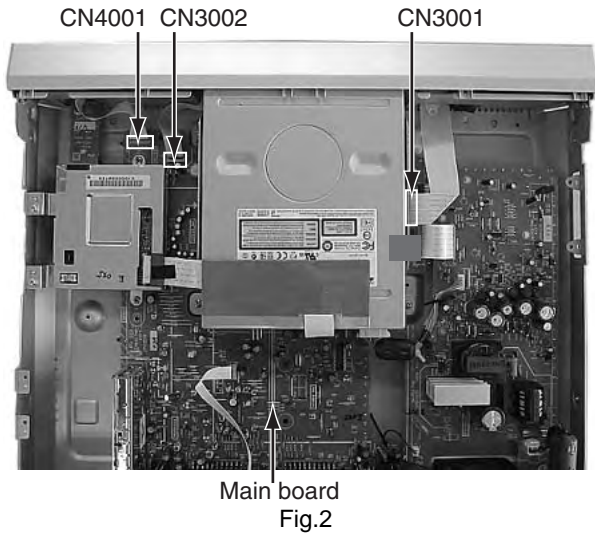


3.1.2 Remove the front panel assembly (See figure 2, figure 3, and figure 4)

- Prior to performing the following procedure, remove the top cover.
- There is no need to remove the mechanism assembly.
- (1) Disconnect the card wires from connector [CN3001](#), [CN3002](#), [CN4001](#) on the main board.
- (2) Hooks **a** and **b** are removed respectively, and the front panel assembly is removed.

NOTE:

In case of attach a front panel assembly, please let a card wire pass in the hole in the front part of a chassis, respectively, and connect.



3.1.3 Remove the mechanism assembly (See figure 5)

- Prior to performing the following procedure, remove the top cover.
- There is no need to remove the front panel assembly.
 - (1) Disconnect the socket wire from connector [CN5303](#) on the power supply board.
 - (2) Disconnect the card wire from connector [CN2201](#) on the module board.
 - (3) Remove the four screws **C** attaching the mechanism assembly.

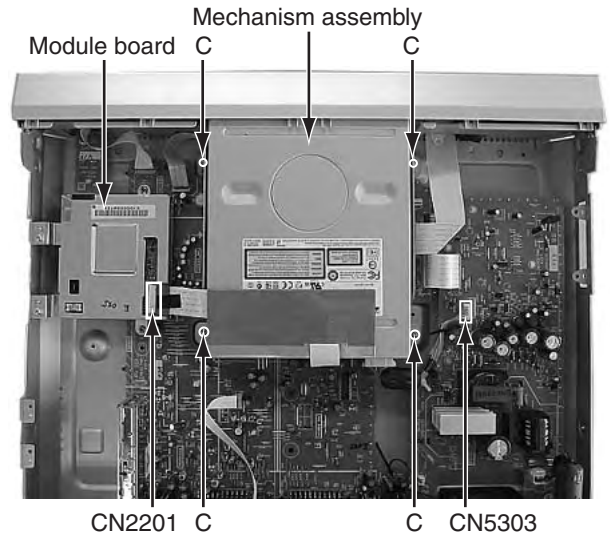


Fig.5

3.1.4 Remove the module board (See figure 6, figure 7)

- Prior to performing the following procedure, remove the top cover.
 - (1) Disconnect the card wire from connector [CN2201](#) on the module board.
 - (2) Remove the four screws **D** and **E** attaching the module board.
 - (3) Remove the one screw **F** attaching the DV terminal board.
 - (4) Lift the module board up, and remove it. Then, the module board is removed from the connectors [CN4101](#), [CN4102](#) on the main board. In attaching the module board, insert the connector on the module board in these connectors securely.

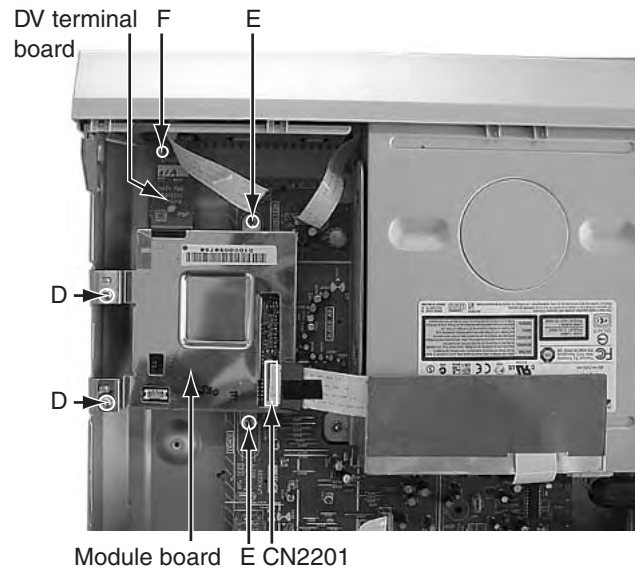


Fig.6

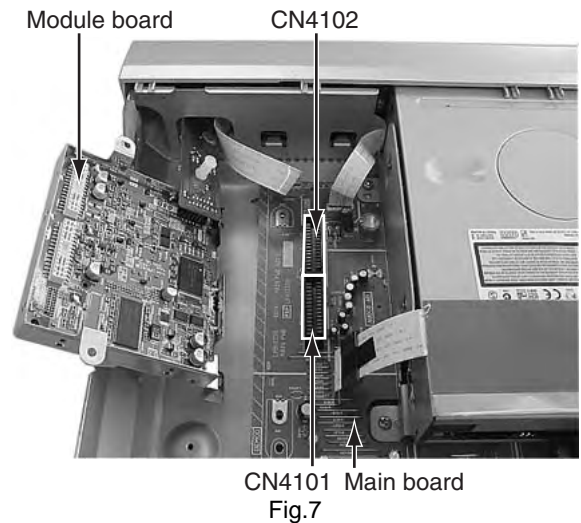


Fig.7

3.1.5 Remove the power supply board (See figure 8)

- Prior to performing the following procedure, remove the top cover.
- (1) Disconnect the card wire from connector [CN5301](#) on the power supply board.
- (2) Disconnect the socket wire from connector [CN5302](#), [CN5303](#), [CN5305](#) on the power supply board.
- (3) Disconnect the power cord from connector [CN5001](#) on the power supply board.
- (4) Remove the two screws **G** attaching the power supply board.
- (5) Four fasteners are removed.

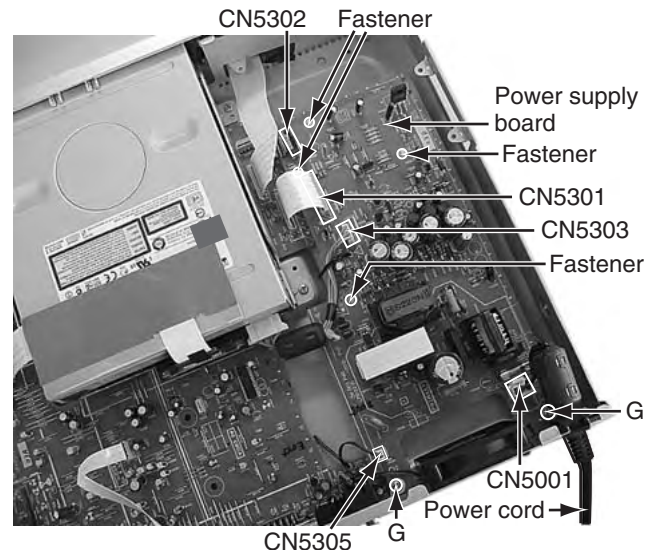


Fig.8

3.1.6 Remove the main board (See figure 9, figure 10)

- Prior to performing the following procedure, remove the top cover, mechanism assembly, module board.
- (1) Disconnect the card wire from connector [CN3001](#), [CN3002](#), [CN4001](#), [CN5101](#), [CN7301](#) on the main board.
- (2) Disconnect the socket wire from connector [CN5302](#) on the power supply board.
- (3) Remove the two screws **H** attaching the main board.
- (4) Remove the seven screws **I** attaching the rear panel with main board.

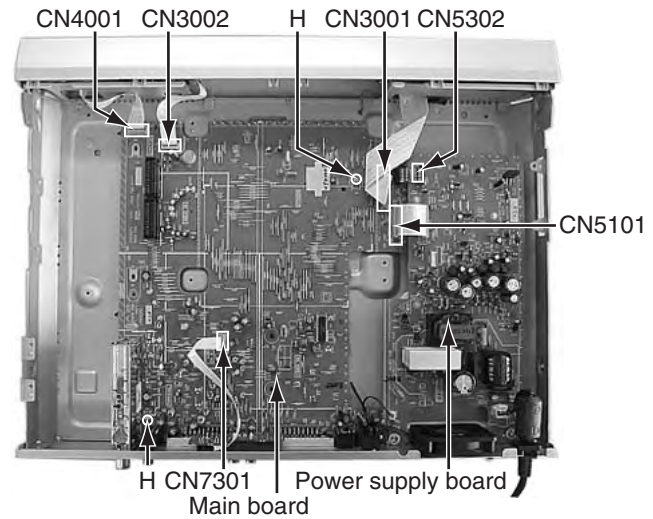


Fig.9

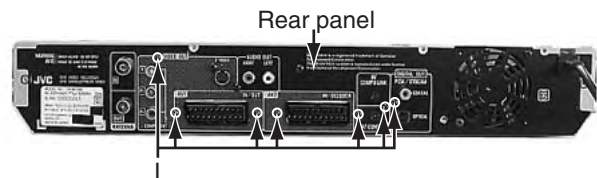


Fig.10

SECTION 4 ADJUSTMENT

4.1 Timer clock adjustment (for only ver.E)

If an error comes to arise for a clock, the following procedure will adjust.

Signal	(A1)	No signal
Mode	(B)	EE
Equipment	(C)	Frequency counter
Measuring point	(D1) (D2) (D3)	IC3001 pin 61 IC3001 pin 17 C3026 + and -
Adjustment part	(F)	C3025 (TIMER CLOCK)
Specified value	(G1)	1024.008 \pm 0.001 Hz (976.5549 \pm 0.0010 usec)

- (1) Connect the frequency counter to the measuring point (D1).
- (2) Connect the short wire between the short point (D2) and Vcc (5V).
- (3) Short the leads of capacitor (D3) once in order to reset the microprocessor of the system controller.
- (4) Disconnect the short wire between the short point (D2) and Vcc then connect it again.
- (5) Adjust the Adjustment part (F) so that the output frequency becomes the specified value (G).


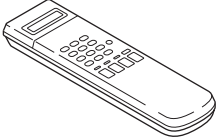
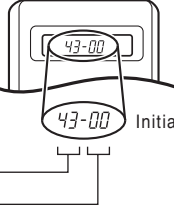
SECTION 5 TROUBLESHOOTING

5.1 JIG Mode

The following remote control units are required to set and cancel JIG mode.

For setting : a remote control unit attached to product.

For cancellation : JIG remote control unit (part number : PTU94023B)

Remote control unit attached to product	JIG remote control unit
	<div style="display: flex; justify-content: space-between;"> <div style="width: 45%;">  <p>JIG remote control unit [Data transmission] Set the data code, and then press the " [3] " button.</p> </div> <div style="width: 50%;"> <p>Custom code</p> <p>43:A Code</p> <p>53:B Code</p> <p>6F:C Code</p> <p>7F:D Code</p> <hr/> <p>Data code</p> </div> </div> <div style="text-align: right; margin-top: 20px;">  <p>Initial mode</p> </div>

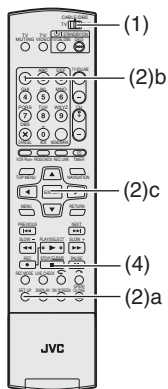
When the main body is set to JIG mode and when the main body is under JIG mode, the remote control unit attached to product operates only in "Remote Control Code 1". Since main body is in "Remote Control Code 3" when it is shipped and just after its batteries are changed, "Remote Control Code 3" needs to be changed to "Remote Control Code 1."

< Changing Remote Control Code >

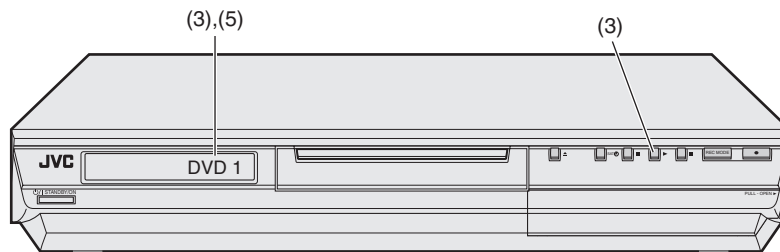
- (1) Switch TV/CABLE/DBS/DVD Switch to "DVD"
- (2) Press the numeric button "1" of the remote control unit while pressing the "SET UP" button of the remote control unit. Then, press the "ENTER" button, and then release the "SET UP" button.
- (3) Press the "PLAY" button of the main body for five seconds or longer while the main body is in stand-by mode, and a current remote control code of the main body is displayed in FL indicator of the main body.
- (4) While keeping the state of (3), press the "STOP" button of the remote control unit toward the main body.
- (5) When FL indicator displays "DVD1," it means that the Remote Control Code has been changed to "1."

*This product has remote control codes of 1, 2, 3, and 4.

*The remote control codes "DVD 1, 2, 3, and 4" of product are the same as the remote control codes "A, B, C, and D" of video cassette recorders manufactured in JVC.



"(2) a-c" shows the order of pressing the buttons.

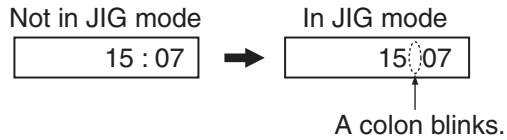


5.1.1 Setting JIG mode

To display SYSTEM INFO or to upgrade firmware, the main body needs to be set to JIG mode.

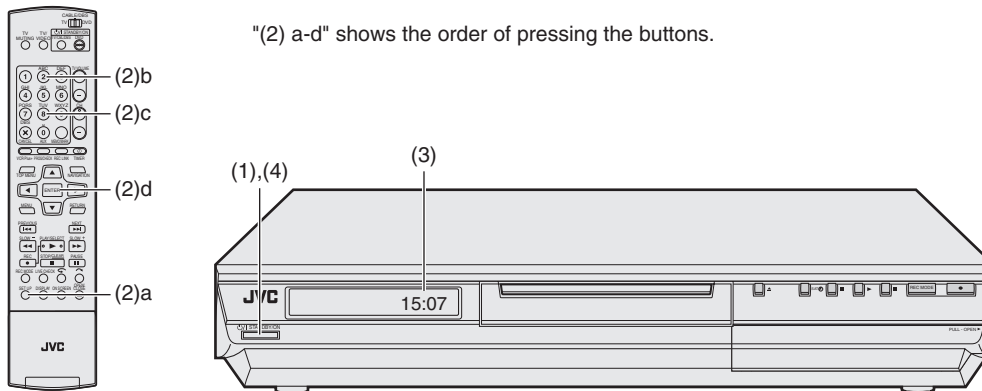
- (1) Turn the main body ON.
- (2) Press the buttons of the remote control unit attached to product in the following order : "SET UP" → "2" → "8" → "ENTER"
- (3) When a colon ":" between "hour" and "minute" of a clock in FL indicator blink, it means that the main body has been set to JIG mode properly.

[Example]



- (4) Turn the main body OFF, and then turn it ON again.

*Once the main body is set to JIG mode, the JIG mode cannot be cancelled even if the power cord is pulled out from the wall socket.



5.1.2 Canceling JIG mode

- (1) Transmit "43-9D" to the main body by using JIG remote control unit.
- (2) A colon ":" between "hour" and "minute" of a clock in FL indicator light.
- (3) Turn the main body OFF, and then turn it ON again.

NOTE:

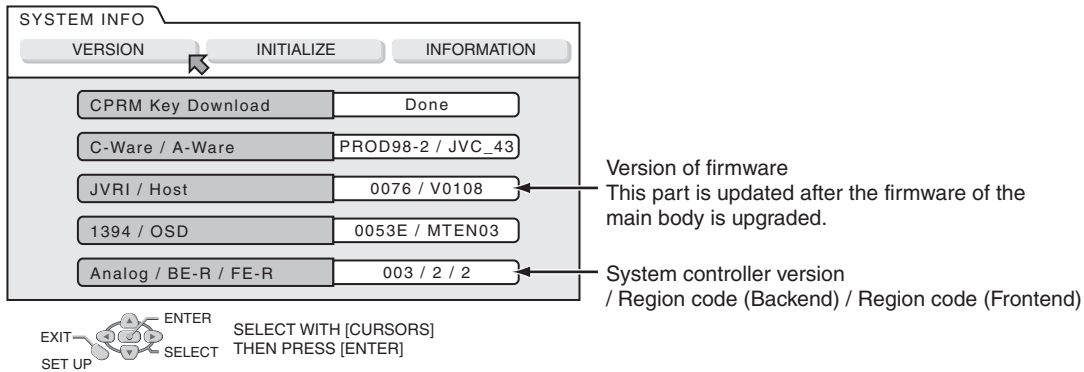
After repair work, be sure to cancel JIG mode. Before returning product to a user, confirm that a colon ":" between "hour" and "minute" of a clock in FL indicator light.

5.1.3 Displaying SYSTEM INFO

SYSTEM INFO contains information on firmware version of the main body and the mechanism drive, and an initialize execution menu.

- (1) Set the main body to JIG mode.
- (2) Transmit "43-8B" to the main body by using JIG remote control unit.
- (3) SYSTEM INFO menu is displayed in the television screen.
- (4) To move cursor in SYSTEM INFO, use the "▲", "▼", "◀", and "▶" buttons of a remote control unit attached to product.

< VERSION >



NOTE :

Items other than the ones described above are not used in service work.

- (5) To quit the SYSTEM INFO menu, transmit "43-8B" to the main body by using JIG remote control unit.
- (6) Cancel JIG mode.

5.1.4 Upgrading firmware of the main body

- Firmware upgrade disk supports CD-R media.
 - (1) Download a compressed file of the latest firmware in "optical disc" page in JS-NET.
 - (2) Decompress the file, and a file "fwupdate.bin" is generated.
 - (3) Write "fwupdate.bin" in CD-R in ISO9660 format.(Don't use Packet Write software. Write in UDF format.)
 - (4) Set the main body to JIG mode.
 - (5) Transmit "43-70" to the main body by using JIG remote control unit.
 - (6) "UPDATE" appears in FL indicator. Load disk for upgrade on the tray, and close the tray.
 - (7) Upgrade processing is started automatically.
 - (8) Then, "FW UPDATE" appears in FL indicator. It takes approx. **6 minutes** at maximum to upgrade firmware.
 - (9) The tray is ejected. Then, take out the disk and close the tray.
 - (10) Turn the main body OFF, and pull out the power cord from the wall socket. Then, plug the power cord into the wall socket.
 - (11) "LOADING" of FL indicator disappears. Then, turn the main body ON.
 - (12) Display the SYSTEM INFO menu, and check the version of the firmware.
 - (13) Cancel JIG mode.

ATTENTION :

Firmware may sometimes not be upgraded successfully.

If firmware is not upgraded successfully, the tray opens, and "ERROR" appears in FL indicator.

If firmware is upgraded successfully, the tray opens, and "OPEN" appears in FL indicator.

If the power cord is pulled out from the wall socket while "ERROR" appears, data in the flash memory is destroyed and the main body cannot start: the flash memory needs to be replaced.

After upgrading procedure, pay enough attention to FL indicator when the tray opens.

When "ERROR" appears, upgrade firmware again in the following way to restore the firmware.

- (1) Transmit "43-70" to the main body by using JIG remote control unit while the tray opens.
- (2) When "UPDATE" appears in FL indicator, close the tray and make the main body read the disk. Upgrading starts.
- (3) After (2), perform upgrading procedure (4) - (10) of 5.1.4 Upgrading firmware of the main body above.

5.2 The setting method of a region code

A region code should be set after a DVD recorder mechanism unit is replaced.
While a DVD recorder mechanism unit is in a warehouse as a stock, a region code of the drive unit is not determined.
Only replacement of a DVD recorder mechanism unit may cause abnormal playback of Disc.
Set a region code of a DVD recorder mechanism unit in the following procedure.

- (1) Replace a DVD recorder mechanism unit.
- (2) Turn POWER switch of the unit ON.
- (3) Set the main body to JIG mode.
- (4) Insert a DVD-RAM disc in the unit to make the unit read the DVD-RAM disc.(The DVD-RAM disk used in this procedure is not a disk for upgrade. If it is a DVD-RAM disk, it is good anything.)
- (5) Send "43-F2" to the unit by using JIG remote control unit.
- (6) "REGION 2" is displayed on FL display.
- (7) Set the unit to STANDBY.
- (8) Turn the POWER switch ON.
- (9) To cancel JIG MODE, send "43-9D" to the unit by using JIG remote control unit.
- (10) Colon is displayed on a clock on FL display.
- (11) Setting is completed in the procedure above.

5.3 Taking out a disc

5.3.1 Method 1

- (1) AC Plug is pulled out at once and inserted again.
- (2) It is displayed on FL display as "LOADING", and while it blinks, pushing the EJECT button of a main body is continued.
- (3) After a while, a tray opens (About 20 seconds).
- (4) A disk is removed, the EJECT button of a main body is pushed, and a tray is made to close.
- (5) The "LOADING" blink display of FL display disappears and it will be in a standby state.
- (6) If the POWER button is pushed, it will usually be operating.

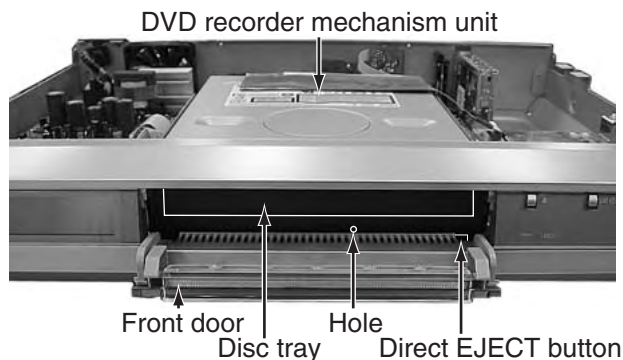
5.3.2 Method 2

When a disk is not able to be taken out by operation of "Method 1", a front door is opened manually, and the EJECT button in the lower right of a DVD recorder mechanism is pushed directly.

5.3.3 Method 3

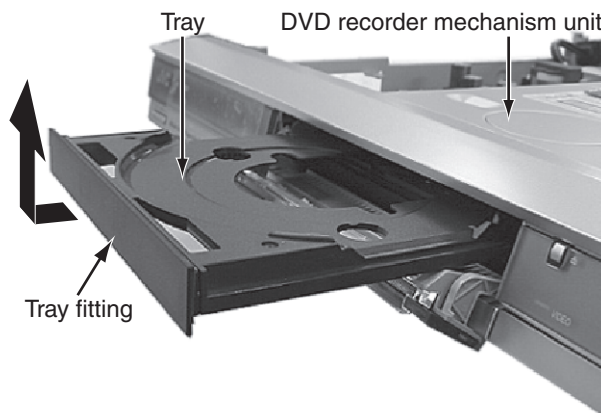
A Disc can be taken out manually even when the main body is turned off.

- (1) Open the front door.
- (2) Pass a thin wire through a hole in the DVD recorder mechanism unit.
- (3) The disc tray comes out slightly. Take out the disc tray manually.



5.4 The exchange method of a tray fitting

When DVD recorder mechanism unit is exchanged, please transplant a tray fitting from an old drive, or change for a new tray fitting.
A tray is pulled out manually, as shown in a figure, it carries out, and a tray fitting is removed.





JVC

VICTOR COMPANY OF JAPAN, LIMITED

AV & MULTIMEDIA COMPANY OPTICAL DISC CATEGORY 1644, Shimotsuruma, Yamato, Kanagawa 242-8514, Japan

(No.XA020)



Printed in Japan
WPC

JVC

SCHEMATIC DIAGRAMS

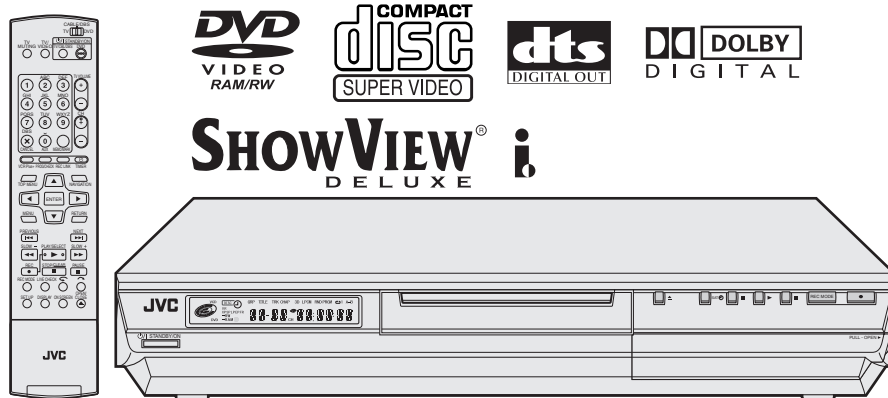
DVD VIDEO RECORDER

DR-M10SEF, DR-M10SEK DR-M10SE, DR-M10SER DR-M10BE

CD-ROM No.SML200404

Area Suffix

EK U.K.
EF France
ER --- Russian Federation
E Continental Europe
 Northern Europe

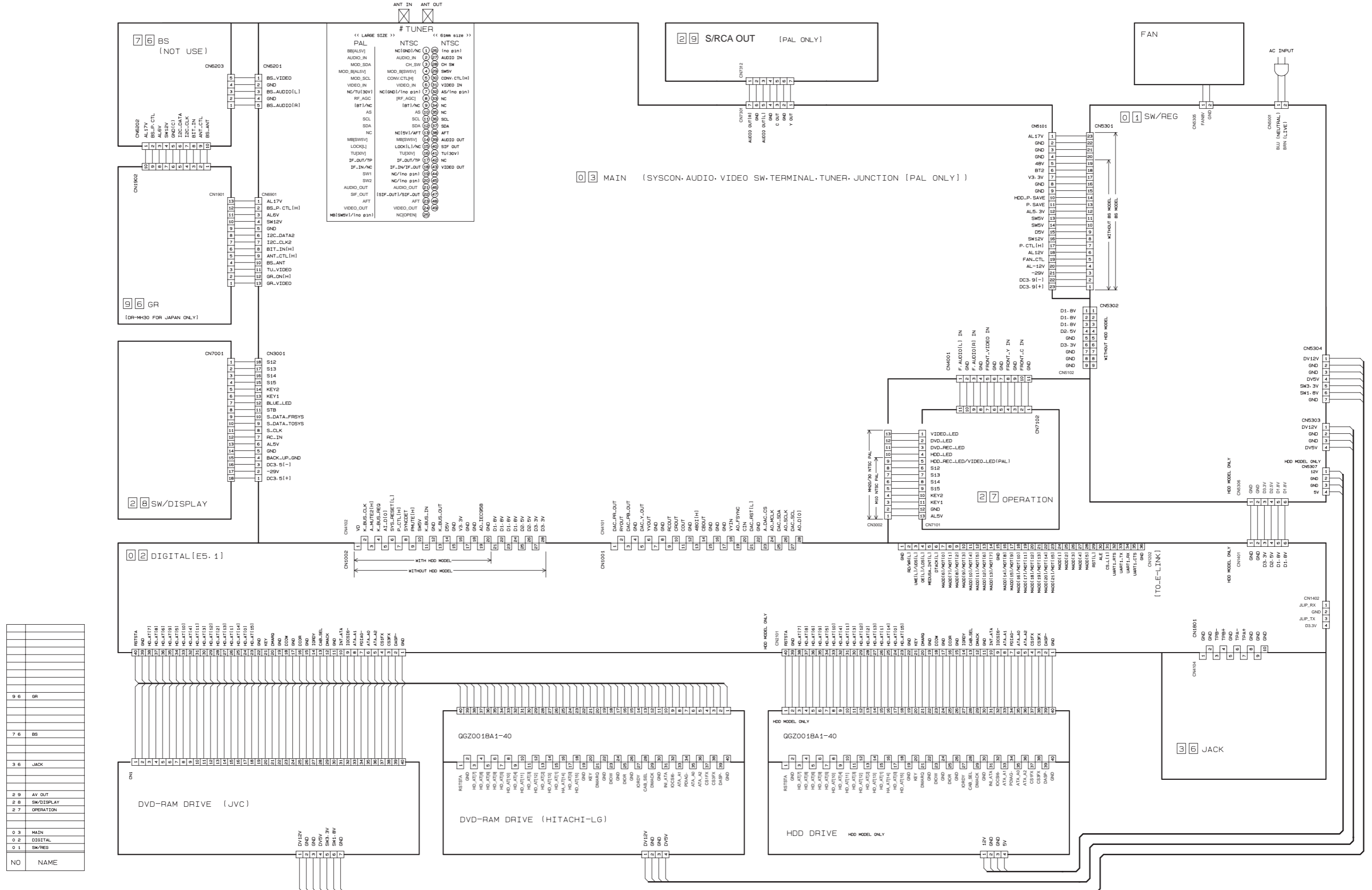


Since the whole mechanism assembly unit is replaced, the DVD recorder mechanism of this unit need not be adjusted.

Contents

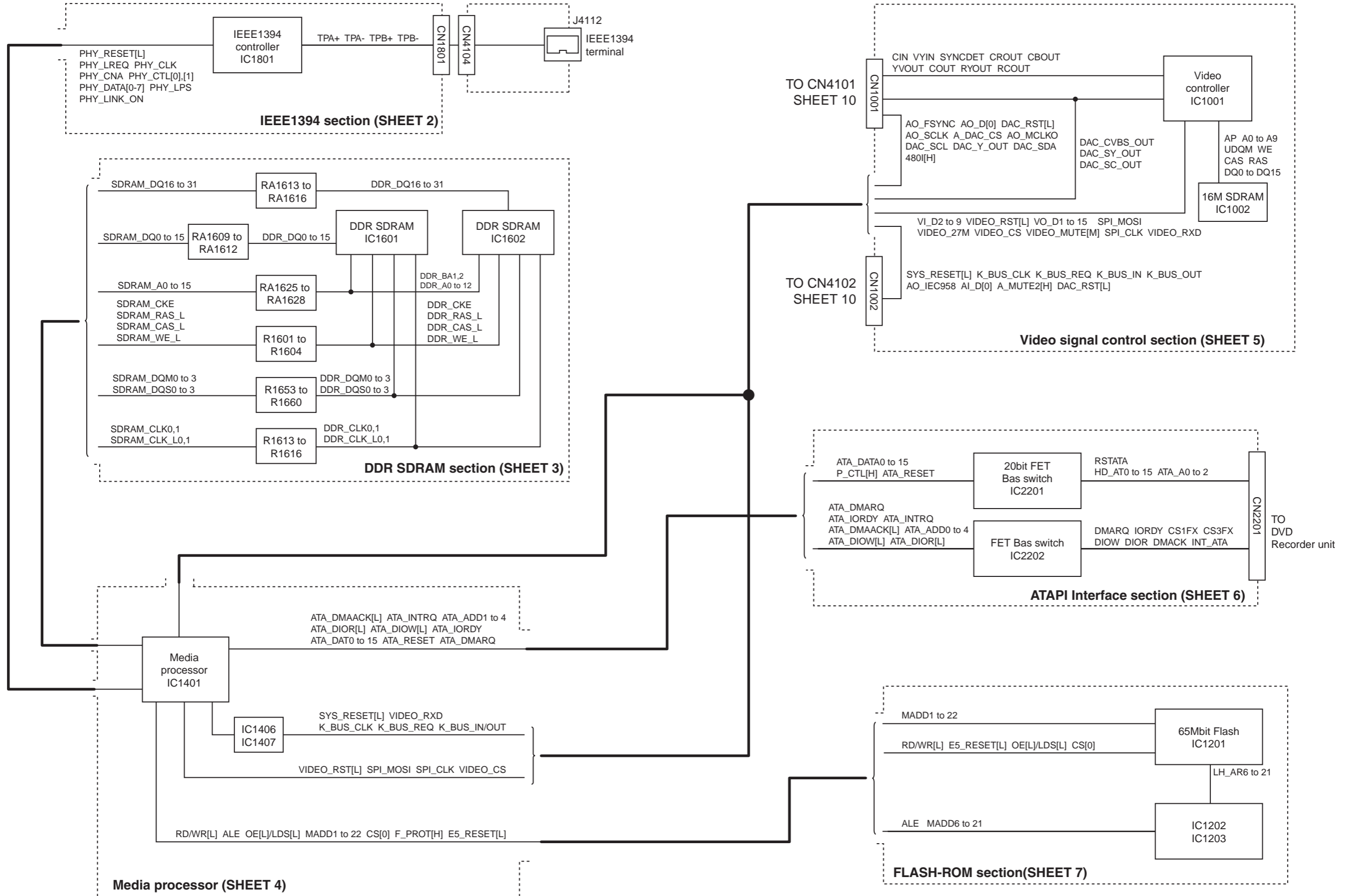
Safety precaution	2-2
Wiring diagram	2-3
Block diagrams	2-4
Standard schematic diagrams	2-7
Printed circuit boards	2-21

Wiring diagram

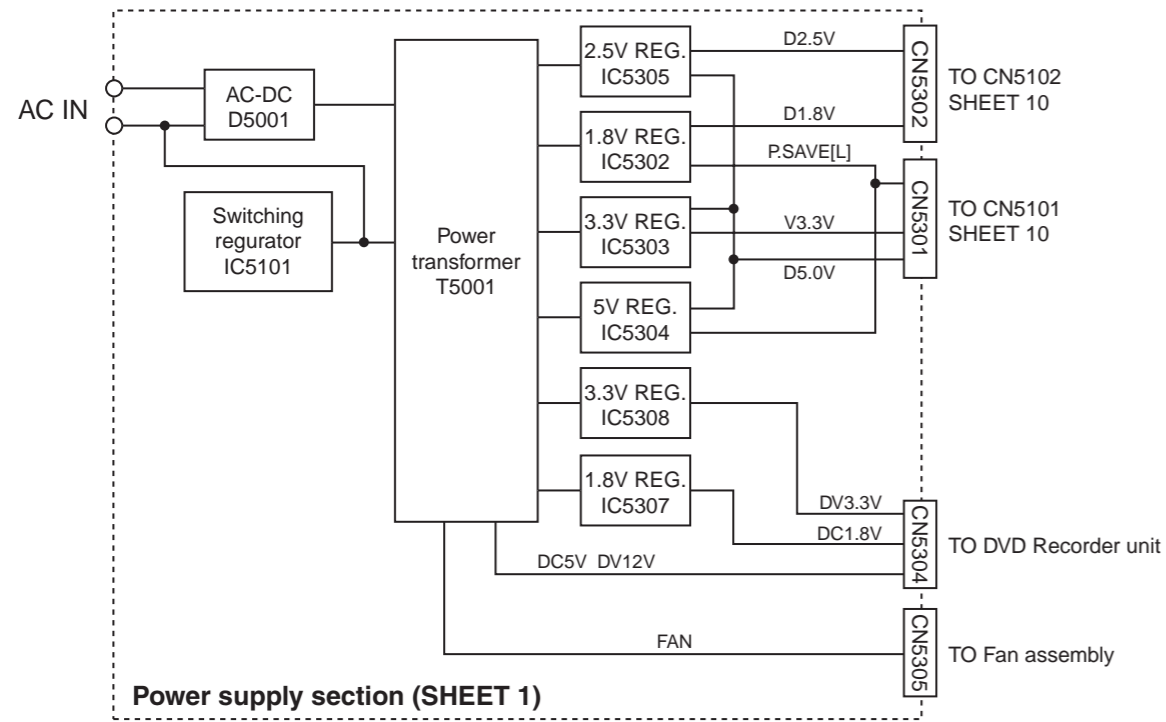


Block diagrams

■ DIGITAL 02

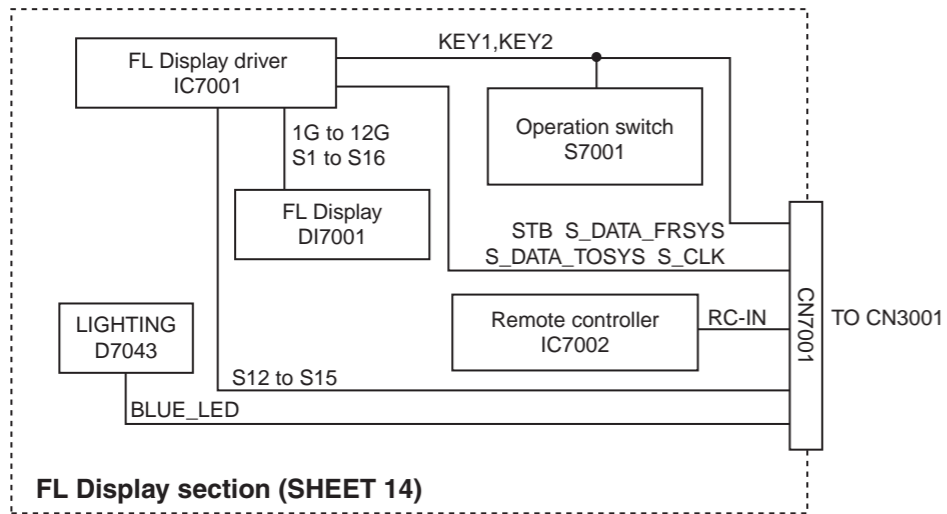


■ SW.REG 0 1



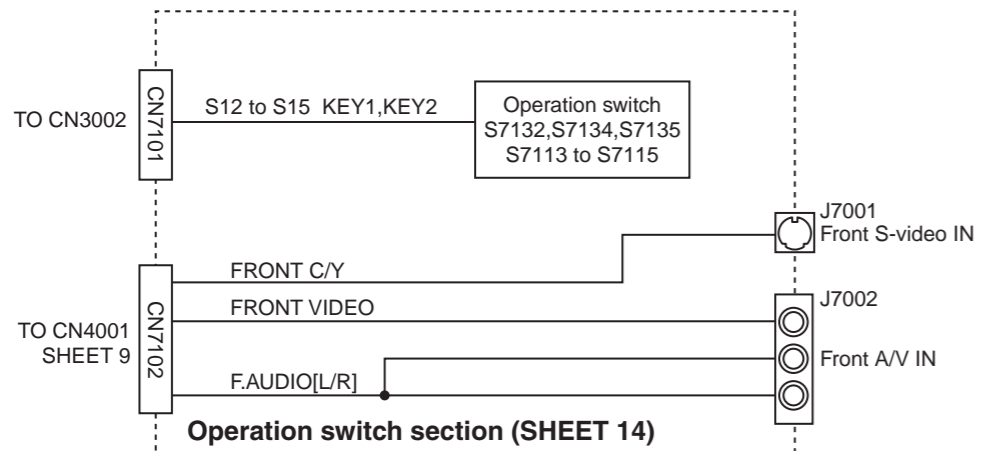
Power supply section (SHEET 1)

■ SW/DISPLAY 2 8



FL Display section (SHEET 14)

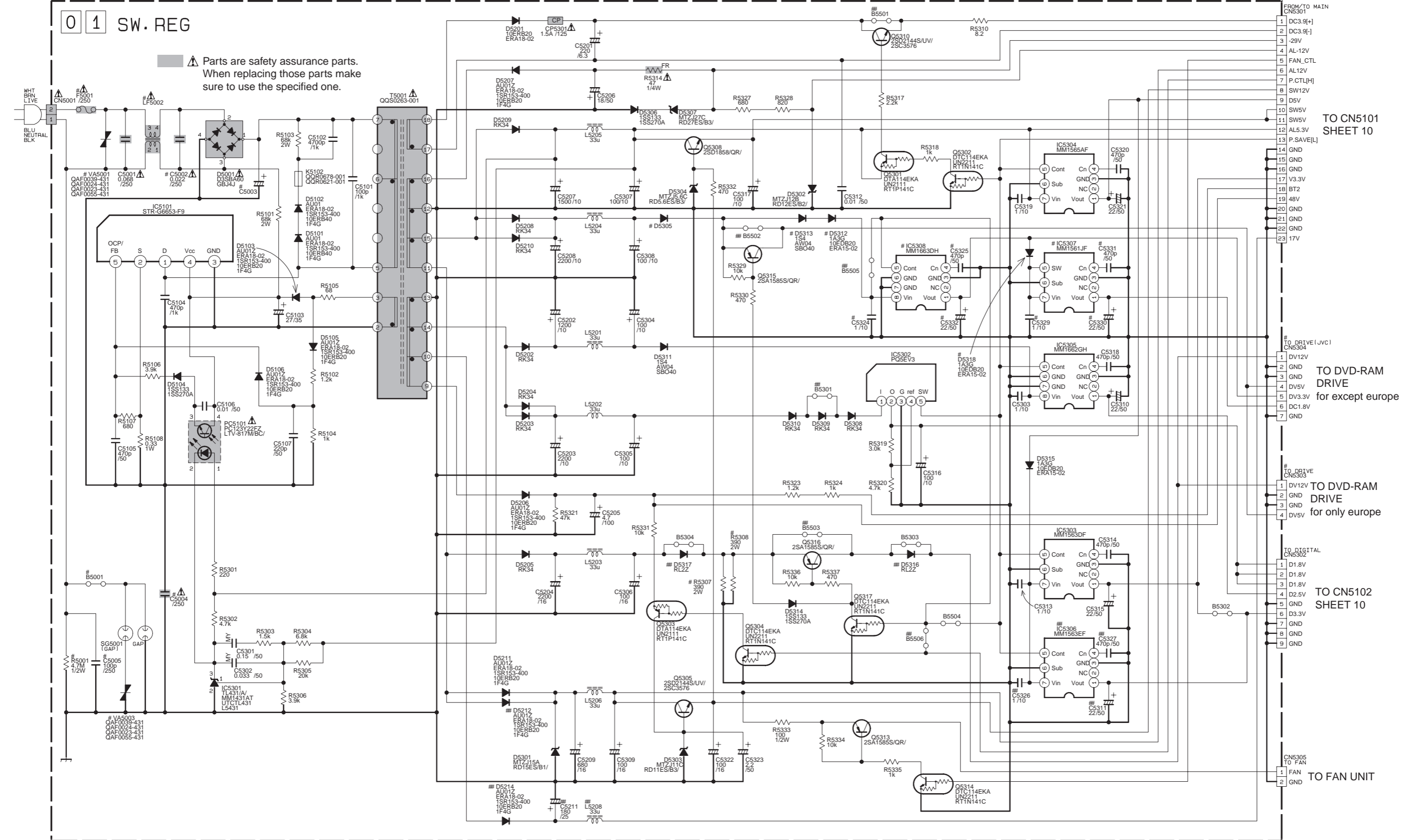
■ OPERATE 2 7



Operation switch section (SHEET 14)

Standard schematic diagrams

Power supply section



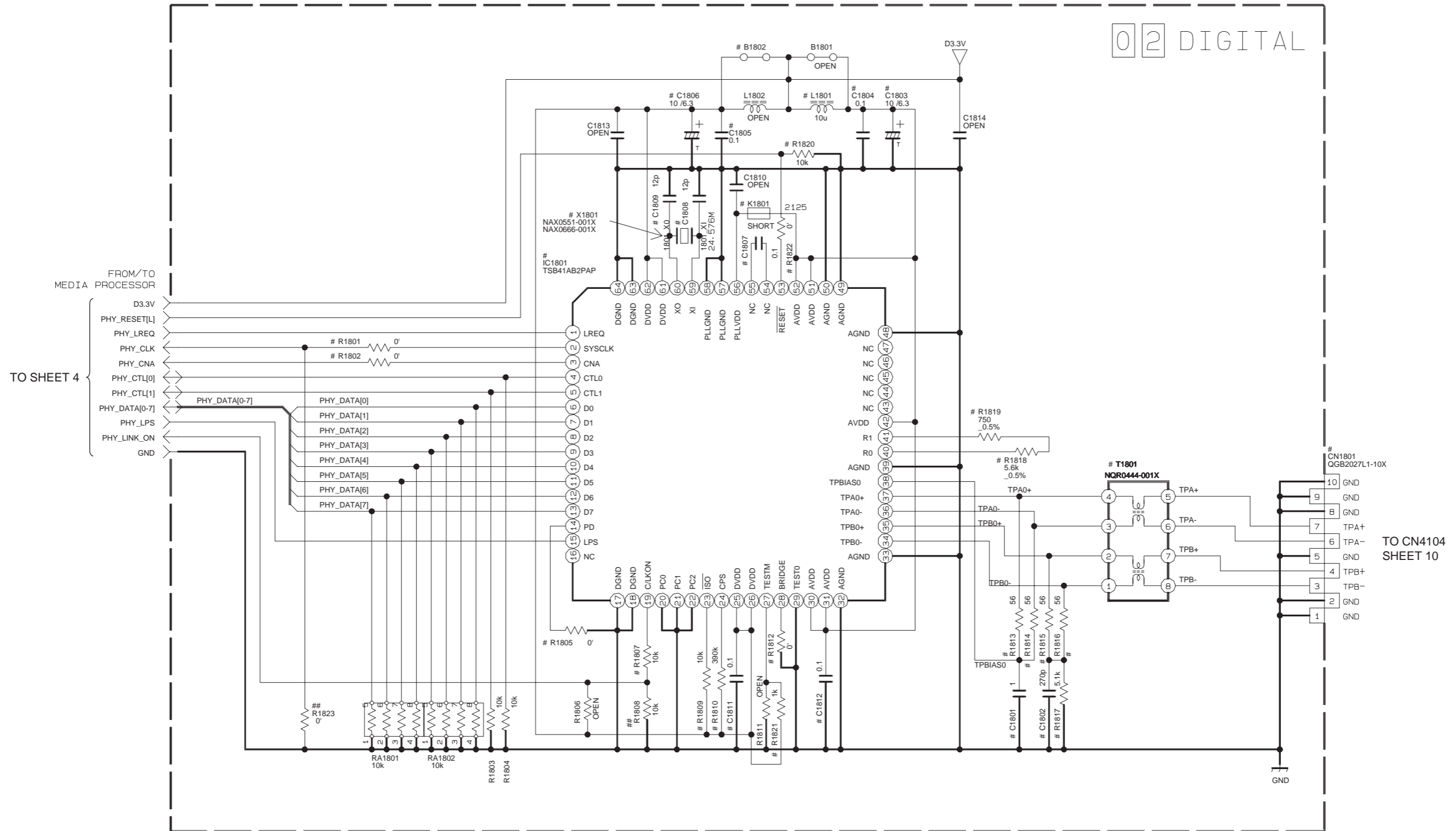
Parts are safety assurance parts. When replacing those parts make sure to use the specified one.

##MARK ELEMENTS ARE NOT MOUNTED.
#DIFFERENCE TABLE

	B5001	C5002	C5003	C5004	C5005	F5001	LF5002	R5001	VA5001	VA5003	C5324	C5330	D5312	IC5308	R5308
US	YES	NO	330/200	4700p	YES	1.6A	GG90908-001 GG90909-001	YES	YES	NO			YES		
JPN							GG91215-001	NO	YES	YES					
EURO	NO	YES	82/400	2200p	NO	T1-6AL	GG91031-001	NO	NO	NO			NO		YES

NOTES-UNLESS OTHERWISE SPECIFIED.
ALL RESISTANCE VALUES ARE IN OHMS.
ALL INDUCTANCE VALUES ARE IN H.
ALL CAPACITANCE VALUES ARE IN μF.

ELECTROLYTIC
 CERAMIC
 MYLAR
 NON POLAR



NOTES: UNLESS OTHERWISE SPECIFIED.

ALL RESISTANCE VALUES ARE IN OHMS.

ALL INDUCTANCE VALUES ARE IN H.

ALL CAPACITANCE VALUES ARE IN μ F.

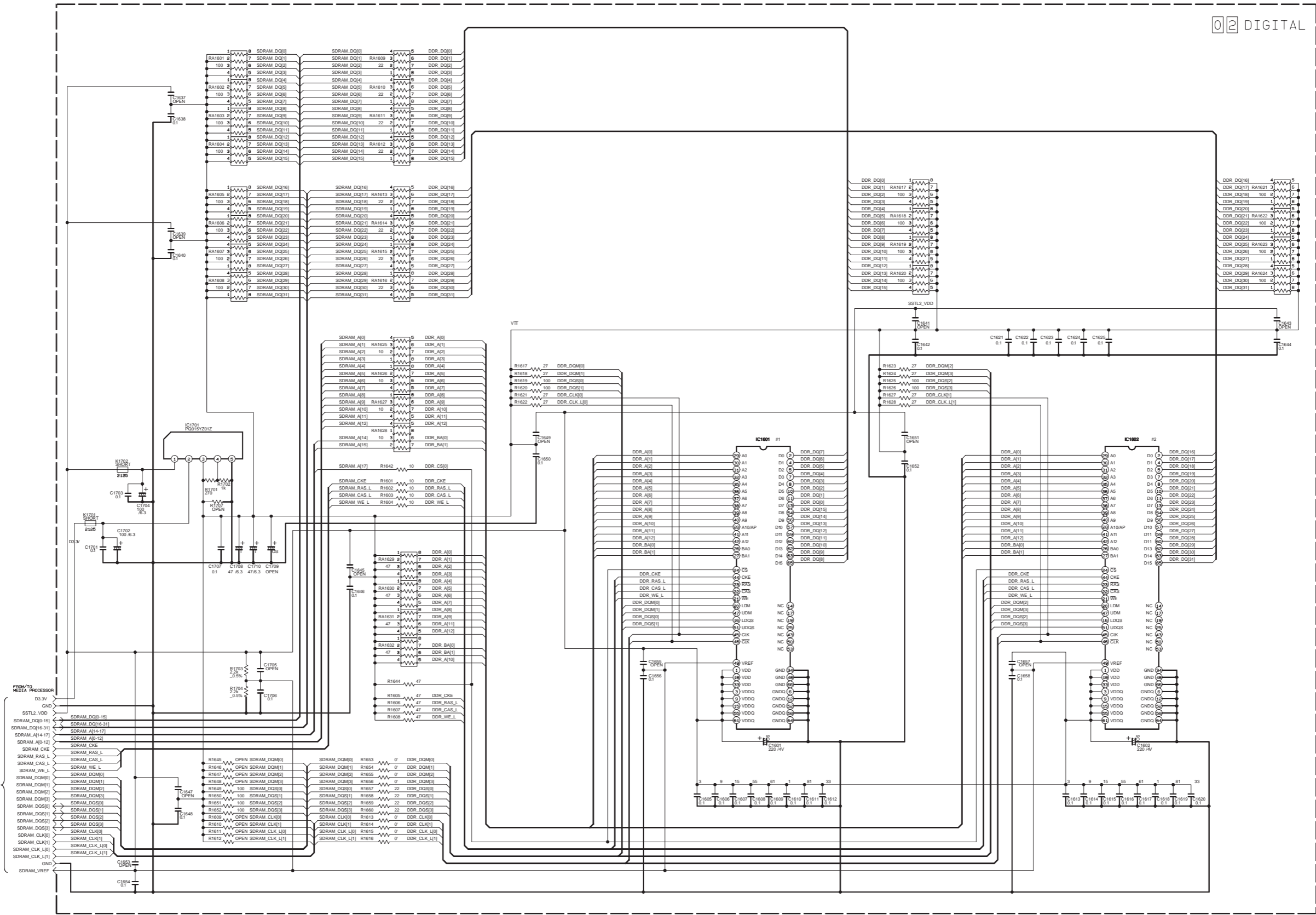
- ELECTROLYTIC
- CERAMIC
- ORGANIC SEMICONDUCTOR
- TANTAL

DIFFERENCE TABLE

DV IN	# MARK	## MARK
○	○	×
×	×	○

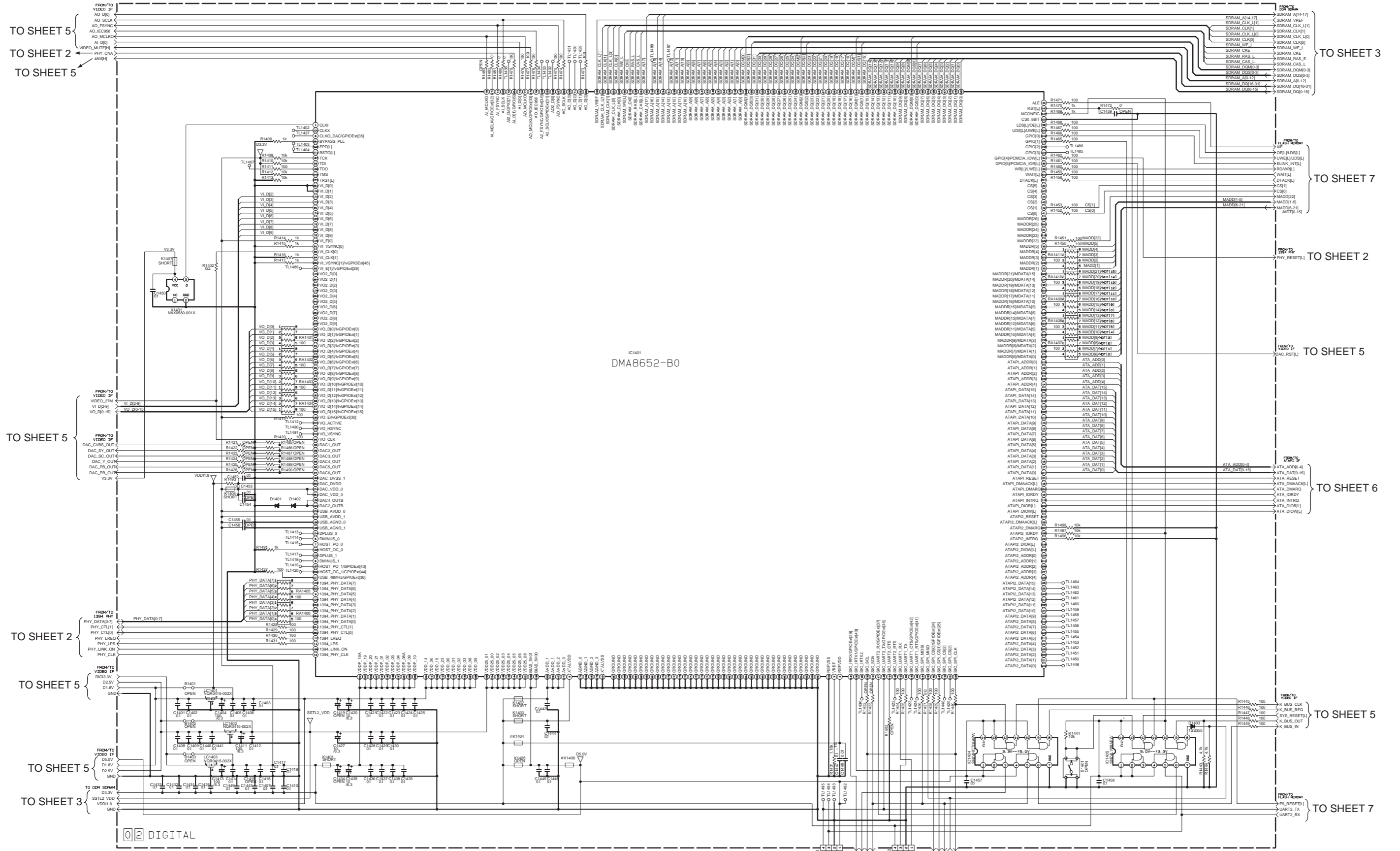
■ DDR SDRAM section

TO SHEET 4



NOTES: UNLESS OTHERWISE SPECIFIED:
ALL RESISTANCE VALUES ARE IN OHMS.
ALL INDUCTANCE VALUES ARE IN H.
ALL CAPACITANCE VALUES ARE IN pF.
ELECTROLYTIC
CERAMIC
ORGANIC SEMICONDUCTOR
TANTALUM

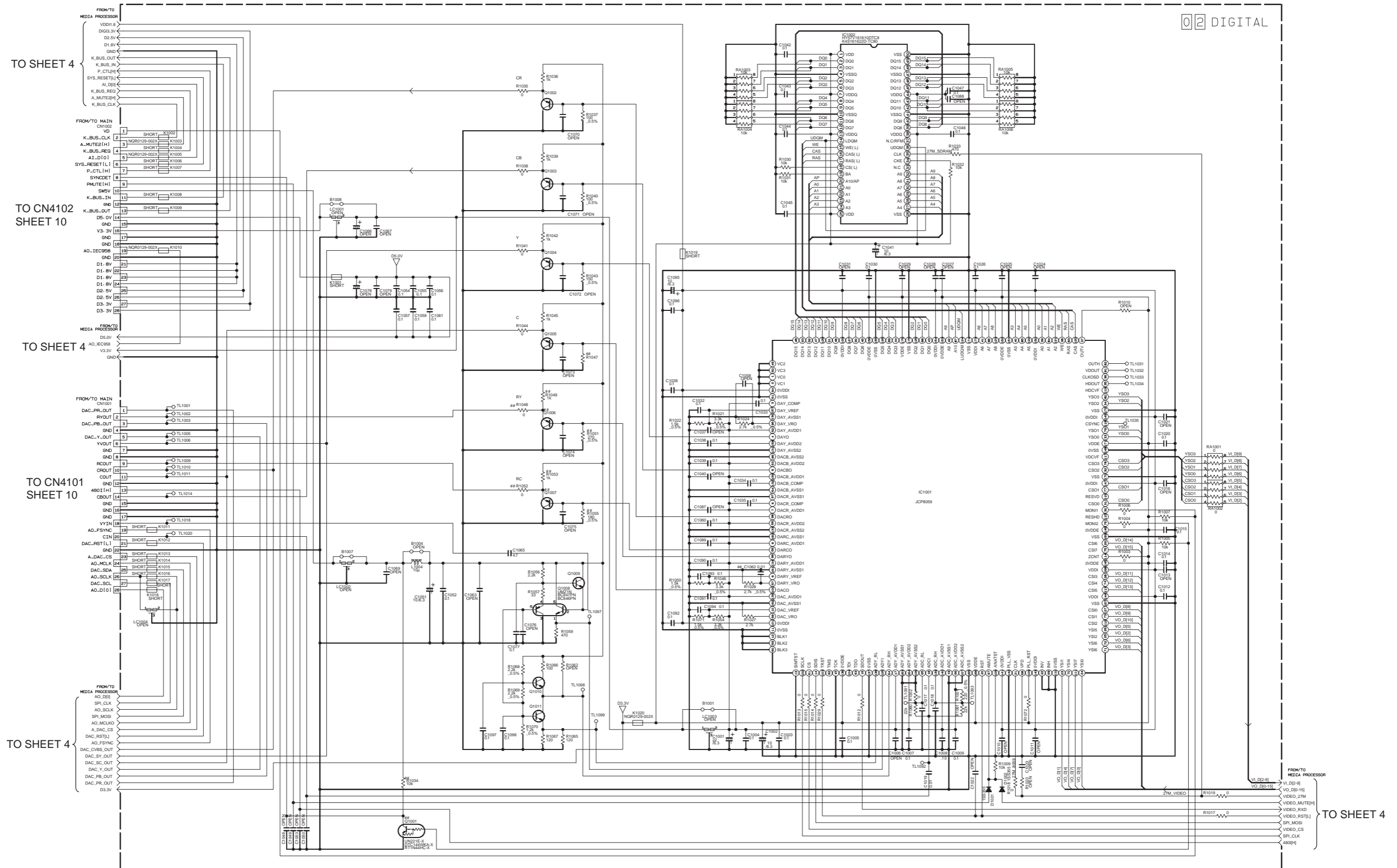
Media processor section



#	MARK
1	K1404-K1406
2	US SHORT
3	JFN SHORT
4	PAL NGR0339-001X

NOTES UNLESS OTHERWISE SPECIFIED:
 ALL RESISTANCE VALUES ARE IN OHMS.
 ALL INDUCTANCE VALUES ARE IN H.
 ALL CAPACITANCE VALUES ARE IN pF.
 ELECTROLYTIC
 CERAMIC
 ORGANIC SEMICONDUCTOR
 TANTAL

Video signal controller section



MARK

	Q1001- R1034	R1047	R1048, R1049, R1051- R1052, R1053, R1055- C1062, G1006, G1007
US	O	220±0.5%	X
JPN	O	220±0.5%	X
PAL	X	200±0.5%	O

NOTES: UNLESS OTHERWISE SPECIFIED.
 ALL RESISTANCE VALUES ARE IN OHMS.
 ALL INDUCTANCE VALUES ARE IN H.
 ALL CAPACITANCE VALUES ARE IN µF.

ELECTROLYTIC
 CERAMIC
 ORGANIC SEMICONDUCTOR
 TANTALUM

ALL NPN TYPE TRANSISTORS ARE 2SC2412K/GRS/-X
 or 2SC3928A/GRS/-X
 or 2SC5601A/GRS/-X

 ALL PNP TYPE TRANSISTORS ARE 2SA1037AK/GR/-X
 or 2SA1530A/GR/-X
 or 2SB709A/GR/-X

■ ATAPI Interface section

02 DIGITAL

NOTES: UNLESS OTHERWISE SPECIFIED.
ALL RESISTANCE VALUES ARE IN OHMS.
ALL INDUCTANCE VALUES ARE IN H.
ALL CAPACITANCE VALUES ARE IN μF.

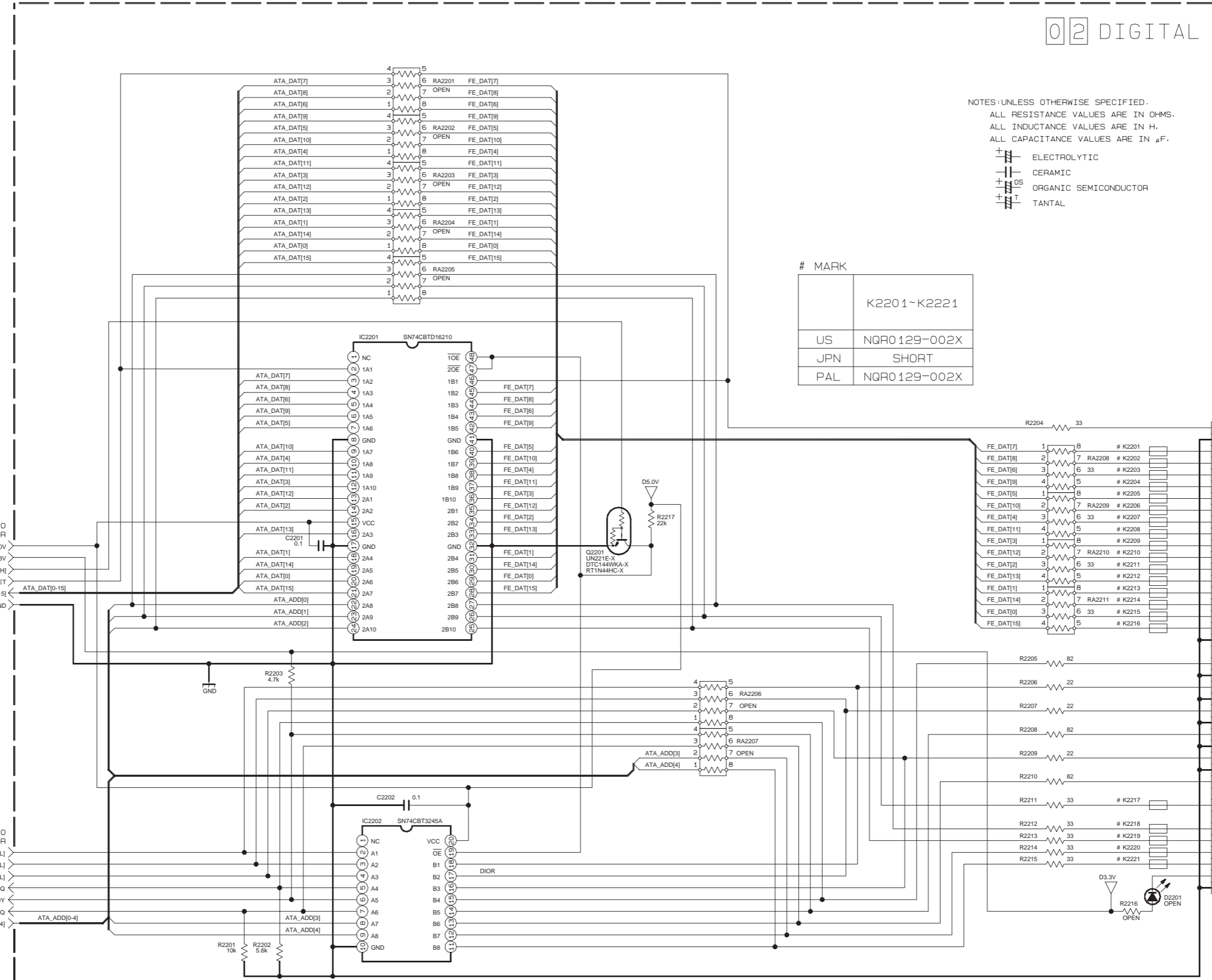
- ELECTROLYTIC
- CERAMIC
- ORGANIC SEMICONDUCTOR
- TANTAL

MARK

	K2201-K2221
US	NGR0129-002X
JPN	SHORT
PAL	NGR0129-002X

TO SHEET 4

TO SHEET 4

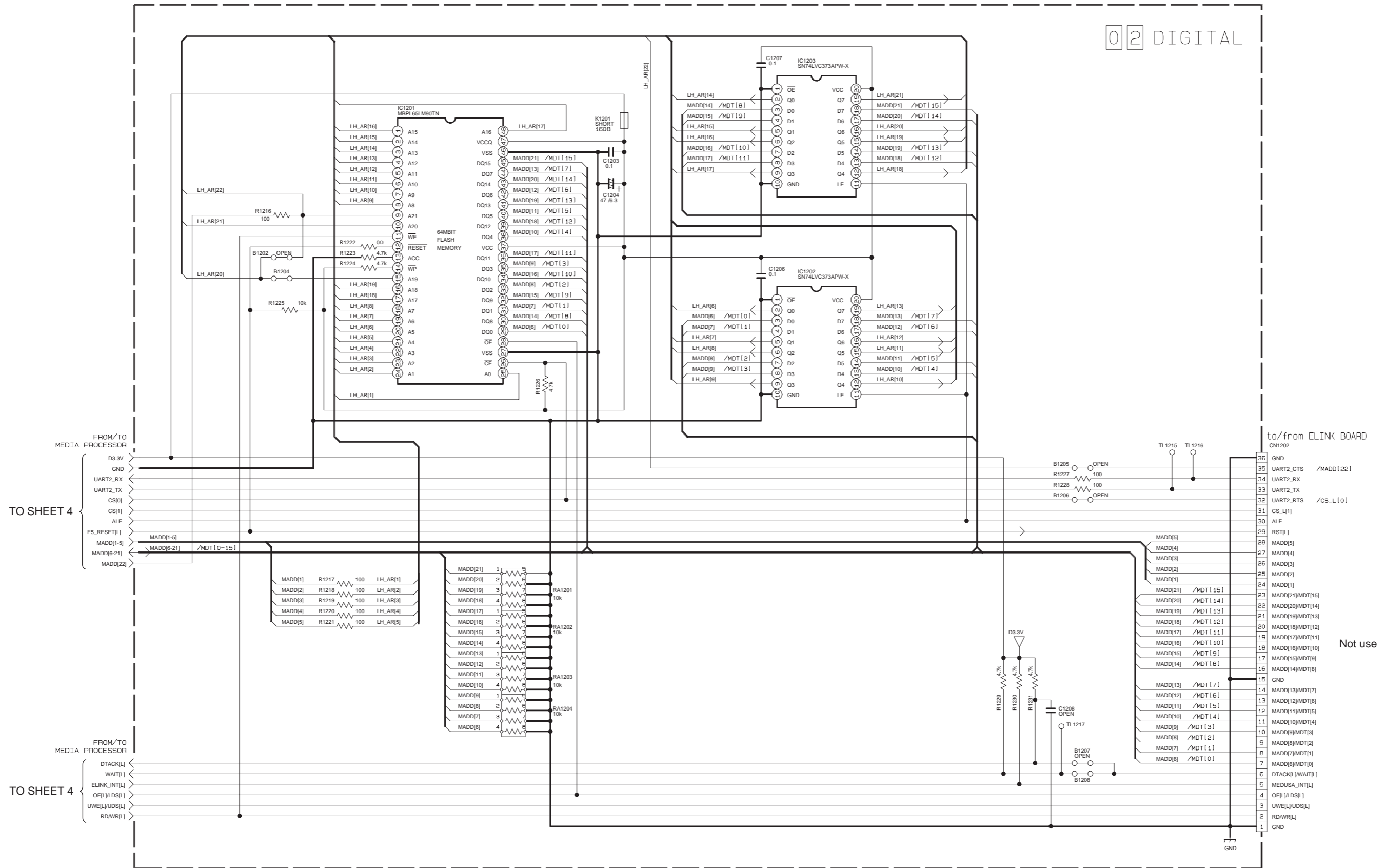


FROM/TO DRIVE
CN2201
RSTATA
GND
HD_AT[7]
HD_AT[8]
HD_AT[6]
HD_AT[9]
HD_AT[5]
HD_AT[10]
HD_AT[4]
HD_AT[11]
HD_AT[3]
HD_AT[12]
HD_AT[2]
HD_AT[13]
HD_AT[1]
HD_AT[14]
HD_AT[0]
HD_AT[15]

TO DVD-RAM DRIVE
GND
DMARQ
DIOW
GND
DIOR
GND
IORDY
CAB_SEL
DMACK
GND
INT_ATA
ATA_A1
ATA_A0
ATA_A2
CS1FX
CS3FX
GND

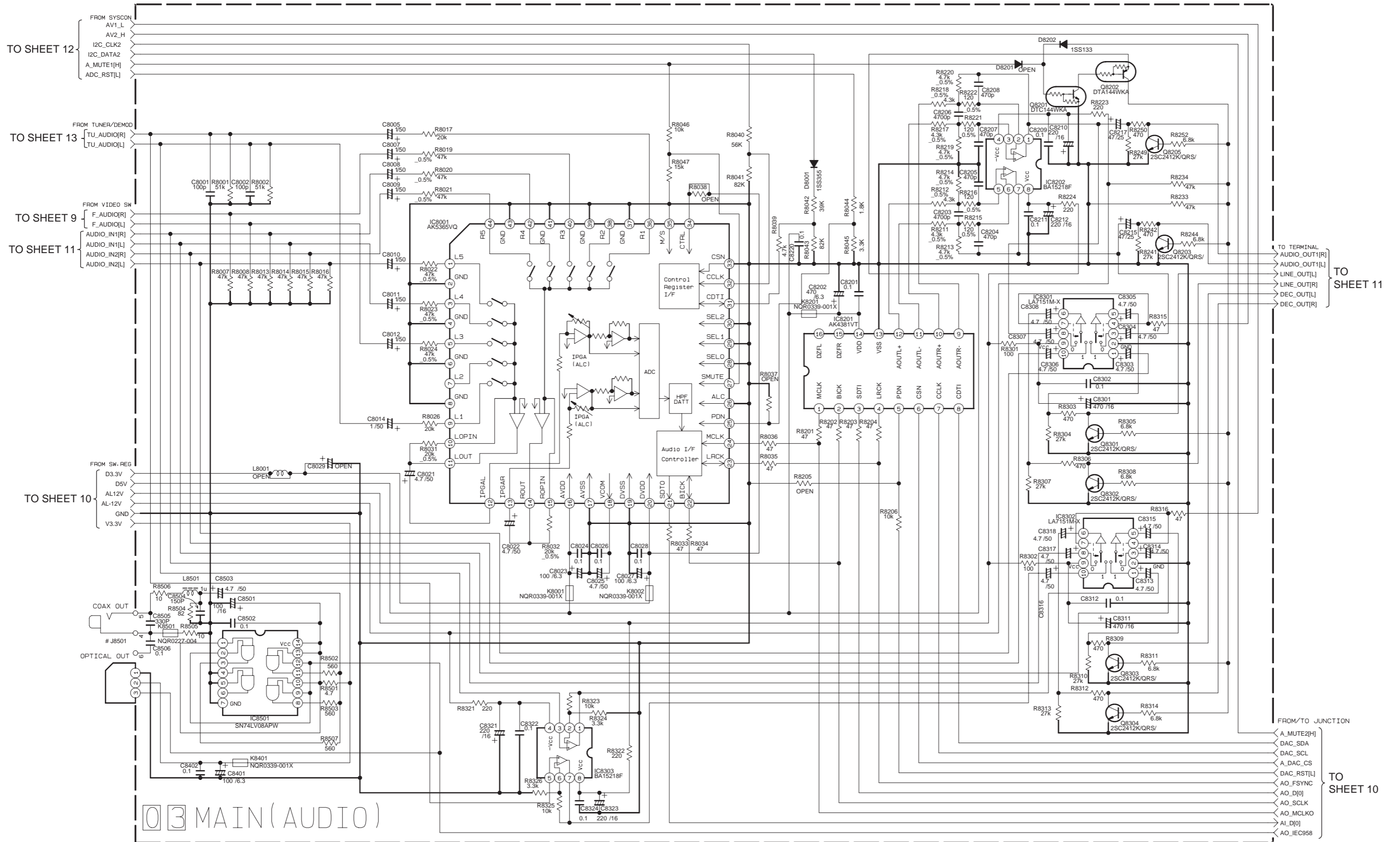
FLASH-ROM section

02 DIGITAL



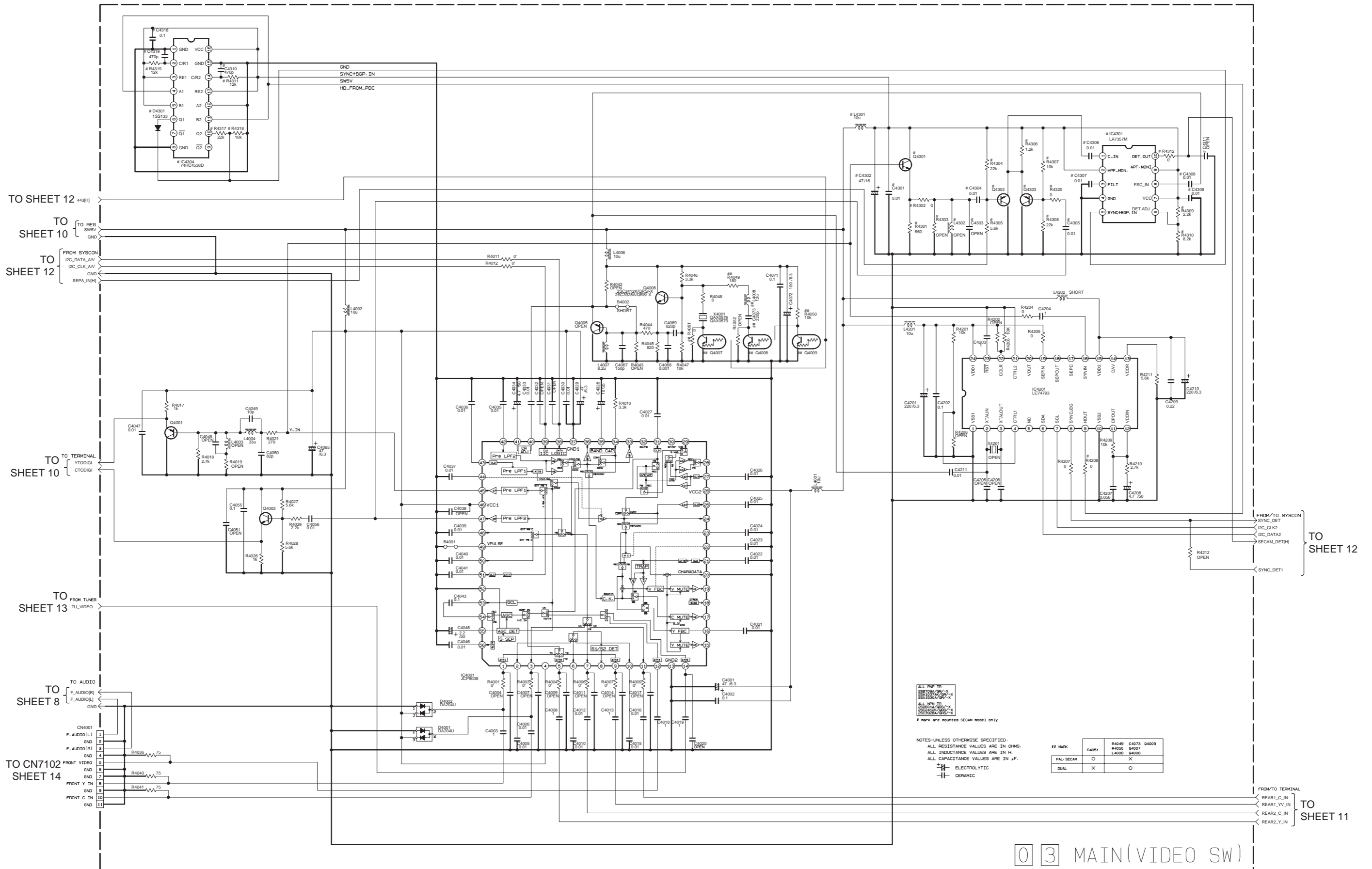
NOTES: UNLESS OTHERWISE SPECIFIED:
 ALL RESISTANCE VALUES ARE IN OHMS.
 ALL INDUCTANCE VALUES ARE IN H.
 ALL CAPACITANCE VALUES ARE IN μ F.
 + — ELECTROLYTIC
 — — CERAMIC
 + — OS — ORGANIC SEMICONDUCTOR
 — — TANTAL

■ Audio signal control section



NOTES: UNLESS OTHERWISE SPECIFIED.
ALL RESISTANCE VALUES ARE IN OHMS.
ALL INDUCTANCE VALUES ARE IN H.
ALL CAPACITANCE VALUES ARE IN μF.
ELECTROLYTIC MYLER
CERAMIC NON POLAR

■ Audio/Video signal input control section



ALL RNP TR
 R4001 R4002 R4003 R4004 R4005 R4006 R4007 R4008 R4009 R4010 R4011 R4012 R4013 R4014 R4015 R4016 R4017 R4018 R4019 R4020 R4021 R4022 R4023 R4024 R4025 R4026 R4027 R4028 R4029 R4030 R4031 R4032 R4033 R4034 R4035 R4036 R4037 R4038 R4039 R4040 R4041 R4042 R4043 R4044 R4045 R4046 R4047 R4048 R4049 R4050
 ALL RNP TR
 C4001 C4002 C4003 C4004 C4005 C4006 C4007 C4008 C4009 C4010 C4011 C4012 C4013 C4014 C4015 C4016 C4017 C4018 C4019 C4020 C4021 C4022 C4023 C4024 C4025 C4026 C4027 C4028 C4029 C4030 C4031 C4032 C4033 C4034 C4035 C4036 C4037 C4038 C4039 C4040 C4041 C4042 C4043 C4044 C4045 C4046 C4047 C4048 C4049 C4050
 # mark are rounded SECAM model only

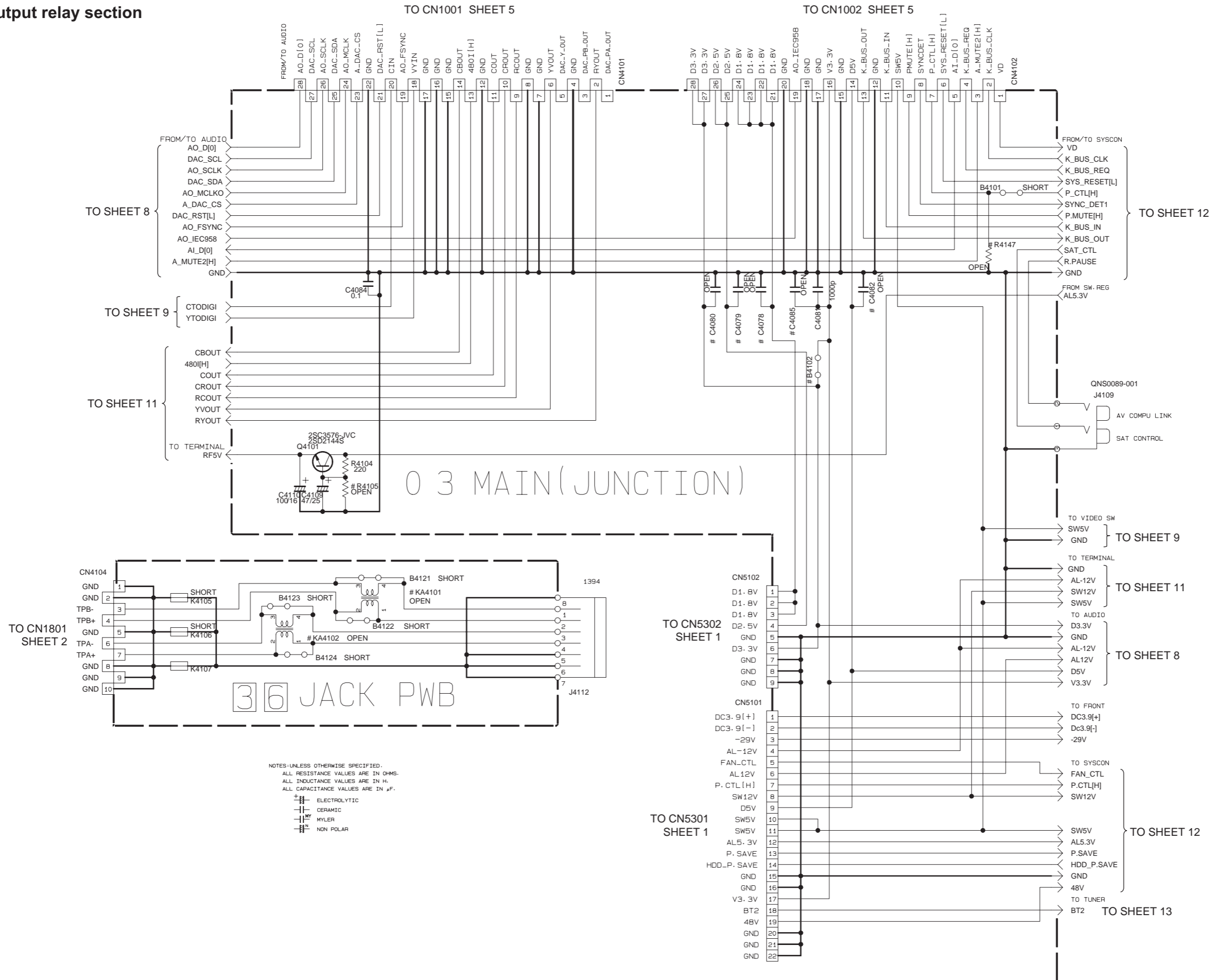
NOTES: UNLESS OTHERWISE SPECIFIED:
 ALL RESISTANCE VALUES ARE IN OHMS.
 ALL INDUCTANCE VALUES ARE IN H.
 ALL CAPACITANCE VALUES ARE IN μF.

⊕ — ELECTROLYTIC
 — CERAMIC

# MARK	R4051	R4049	C4073	Q4009
PAL-SECAM	○	○	○	○
DIAL	×	○	○	○

0 3 MAIN(VIDEO SW)

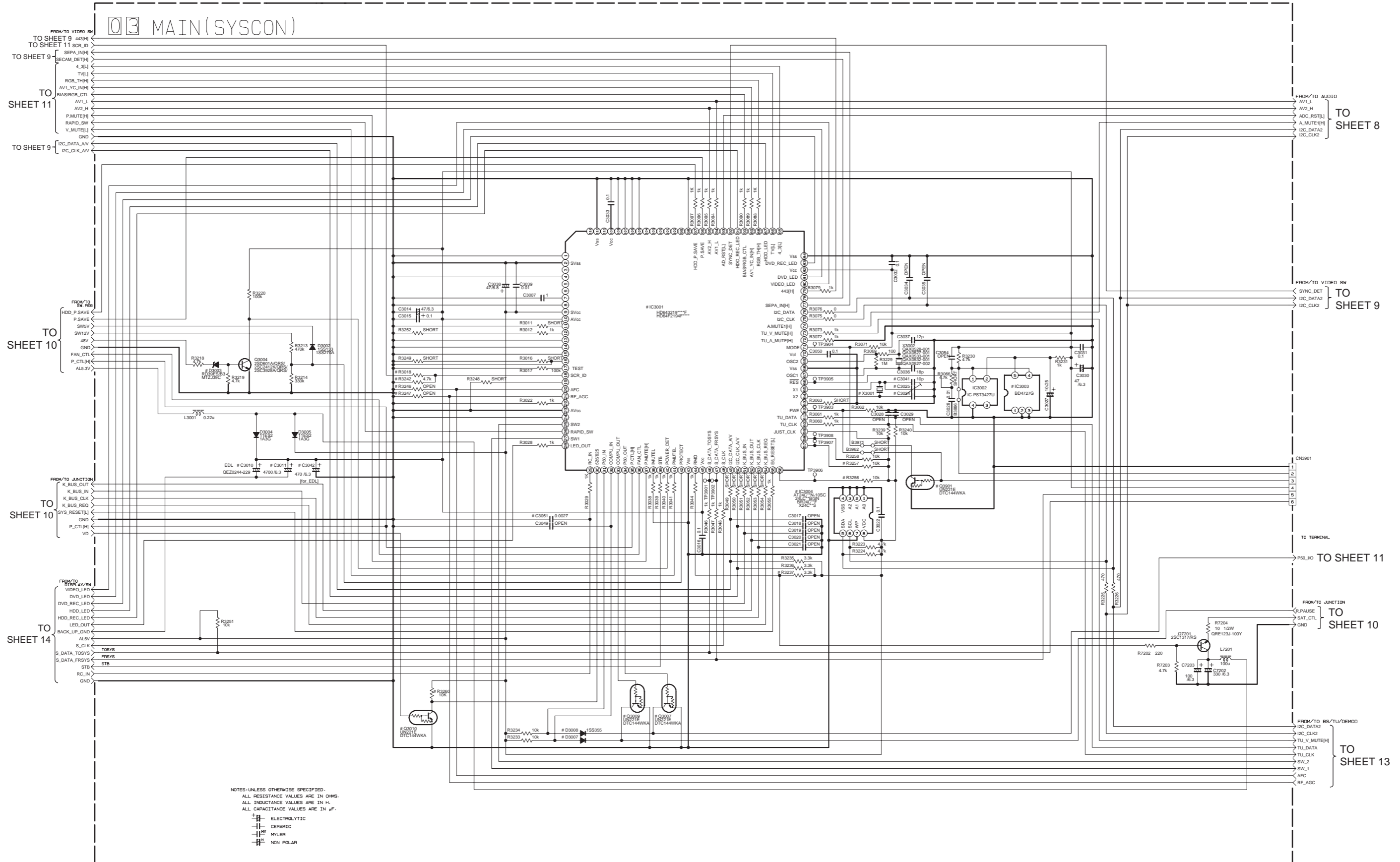
Input/Output relay section



NOTES (UNLESS OTHERWISE SPECIFIED):
 ALL RESISTANCE VALUES ARE IN OHMS.
 ALL INDUCTANCE VALUES ARE IN H.
 ALL CAPACITANCE VALUES ARE IN µF.

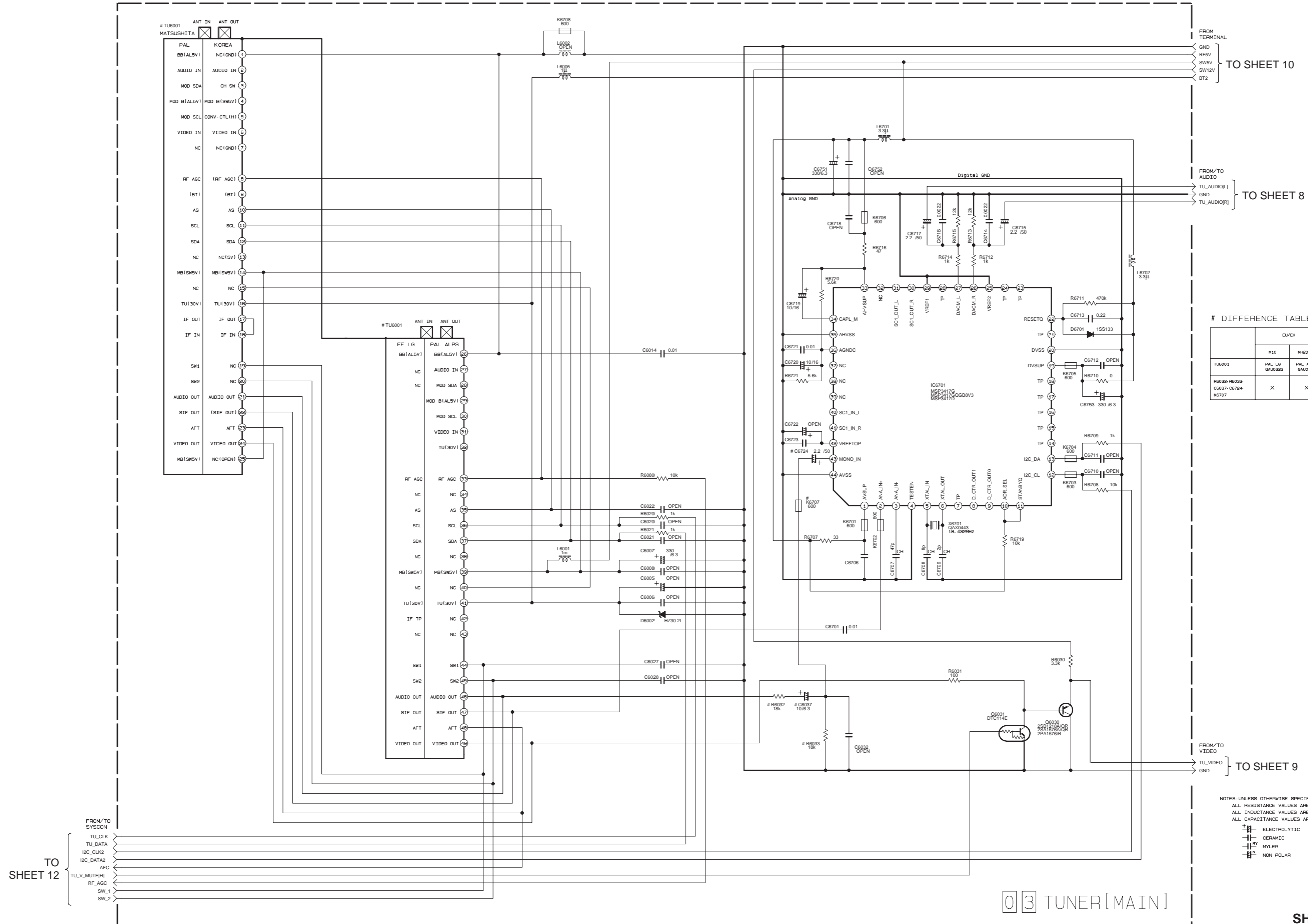
ELECTROLYTIC
 CERAMIC
 MYLAR
 NON POLAR

System controller section



NOTES: UNLESS OTHERWISE SPECIFIED:
 ALL RESISTANCE VALUES ARE IN OHMS.
 ALL INDUCTANCE VALUES ARE IN H.
 ALL CAPACITANCE VALUES ARE IN pF.
 + ELECTROLYTIC
 - CERAMIC
 M MYLER
 - NON POLAR

■ Tuner section



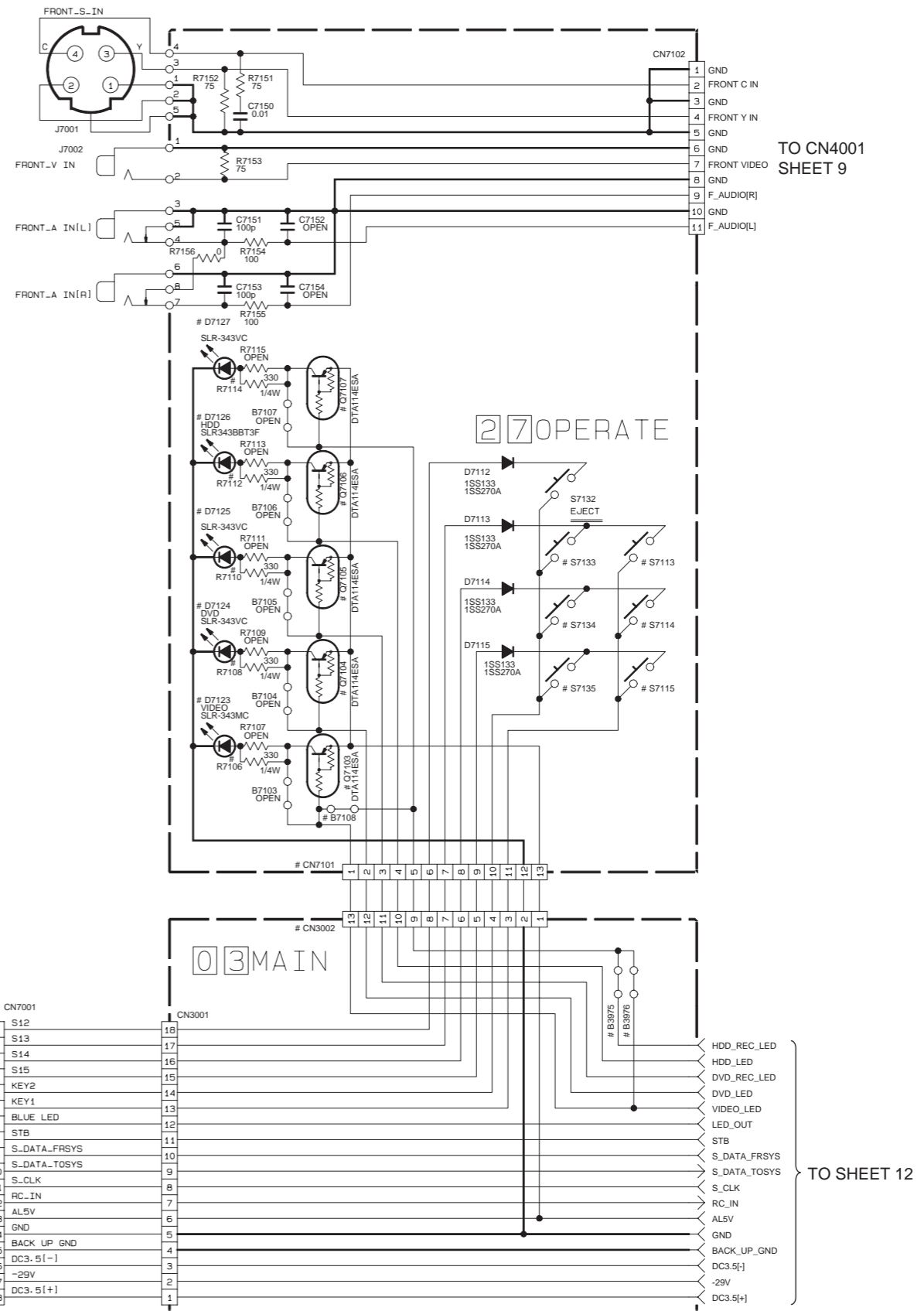
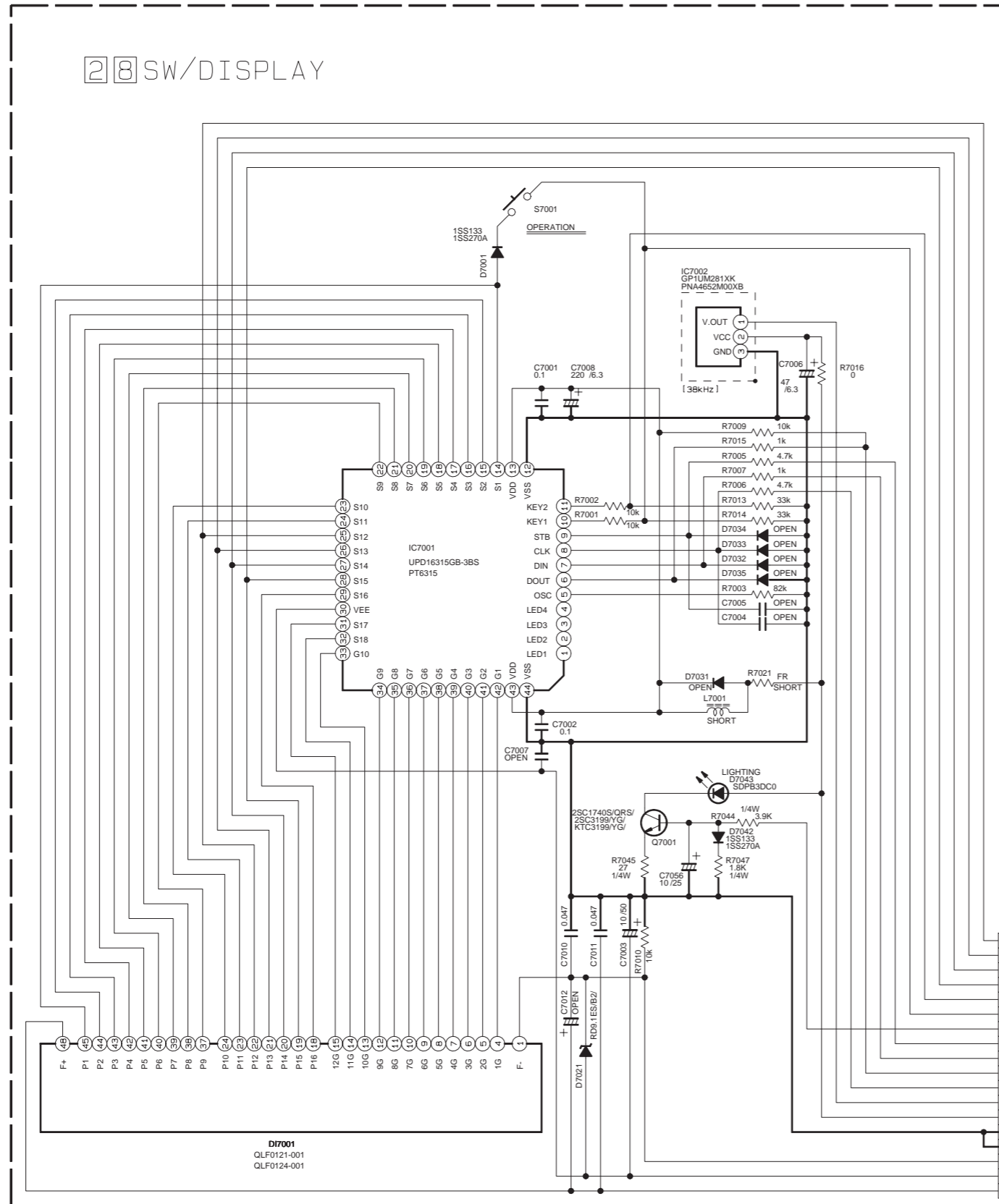
DIFFERENCE TABLE

	EU/EX		EF
	M10	M40/30	
TU6001	PAL LG GAU0323	PAL ALPS GAU0251	EF LG GAU0299
R6032-R6033- C6037, C6724- K6707	X	X	O

NOTES UNLESS OTHERWISE SPECIFIED:
 ALL RESISTANCE VALUES ARE IN OHMS.
 ALL INDUCTANCE VALUES ARE IN H.
 ALL CAPACITANCE VALUES ARE IN μ F.
 [Symbol] ELECTROLYTIC
 [Symbol] CERAMIC
 [Symbol] MYLER
 [Symbol] NON POLAR

03 TUNER[MAIN]

FL Display and operation switch section



DIFFERENCE TABLE

	S7113	S7114	S7115	S7133	S7134	S7135	D7123-R7106 D7103-B7108 B3976	D7124-D7127-R7108 R7110-R7112-R7114 D7104-D7107-B3975	CN7101	CN3002
M10	REC	REC MODE	PAUSE	X	STOP	PLAY	X	X	9PIN(5-13)	9PIN(1-9)
MH20/MH30	DVD	HDD	REC	STOP	PLAY	PAUSE	X	O	13PIN	13PIN

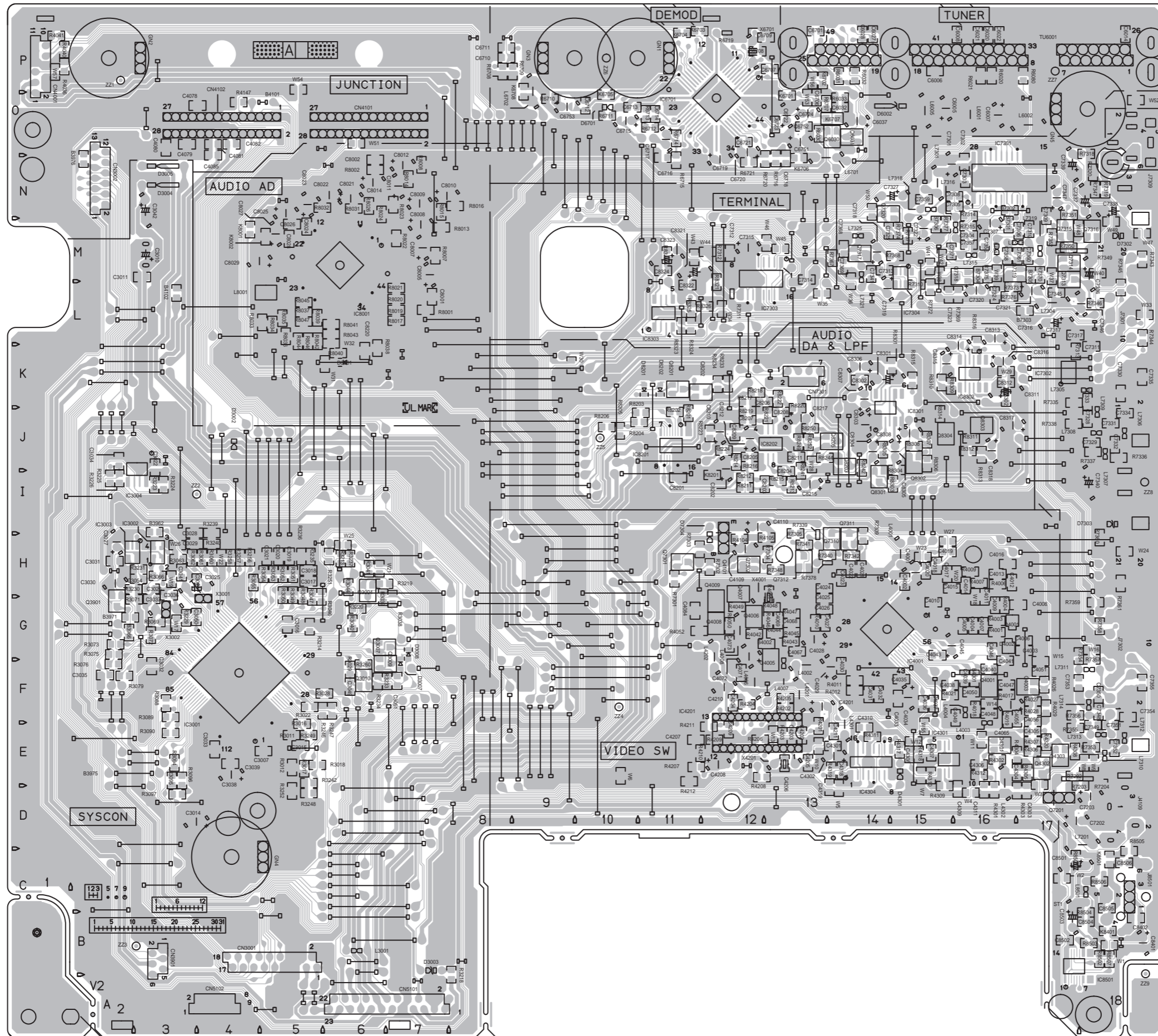
NOTES: UNLESS OTHERWISE SPECIFIED,
ALL RESISTANCE VALUES ARE IN OHMS.
ALL INDUCTANCE VALUES ARE IN H.
ALL CAPACITANCE VALUES ARE IN μF.

ELECTROLYTIC
 CERAMIC
 MYLER
 NON POLAR

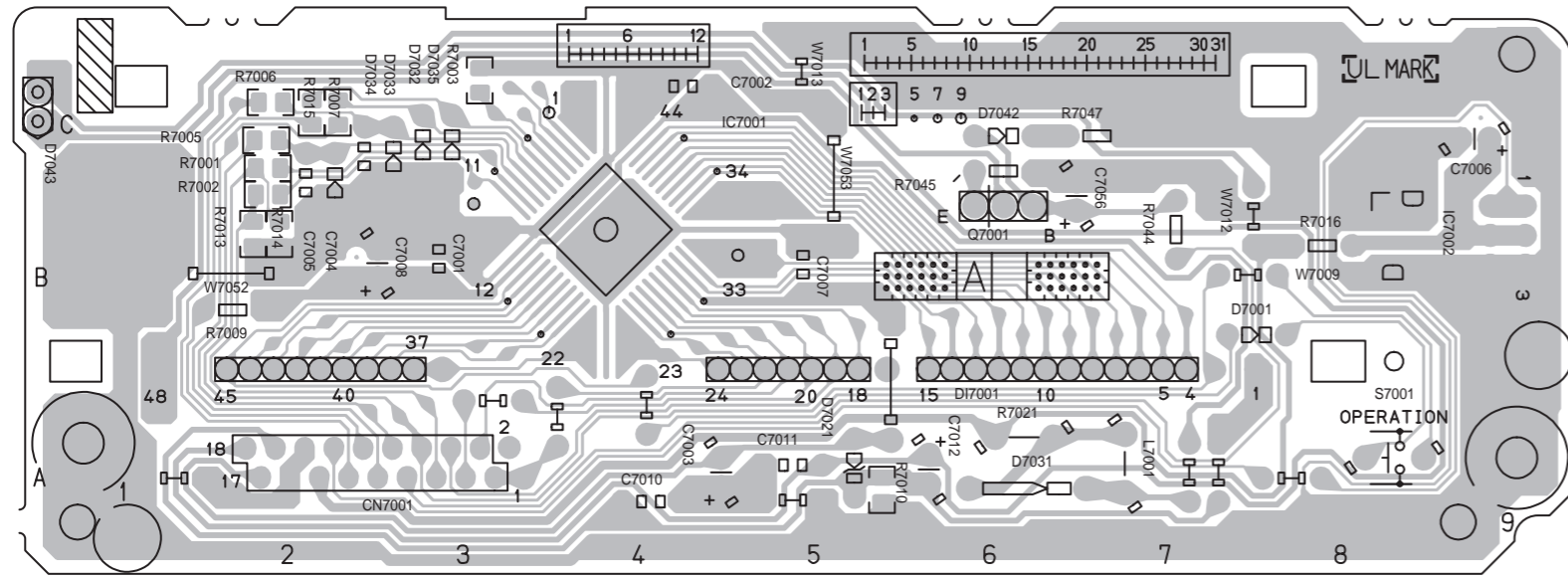
LAST No.	VACANT No.
R 7047 7156	7004-7008-7011-7012-7017-7020-7022-7043-7046
C 7056 7154	7009-7013-7055
D 7043 7127	7002-7020-7022-7030-7036-7041
Q 7001 7107	
L 7001	
IC 7002	
DI 7001	
S 7001 7135	7101-7112-7116-7131
CN 7001 7102	

Printed circuit boards

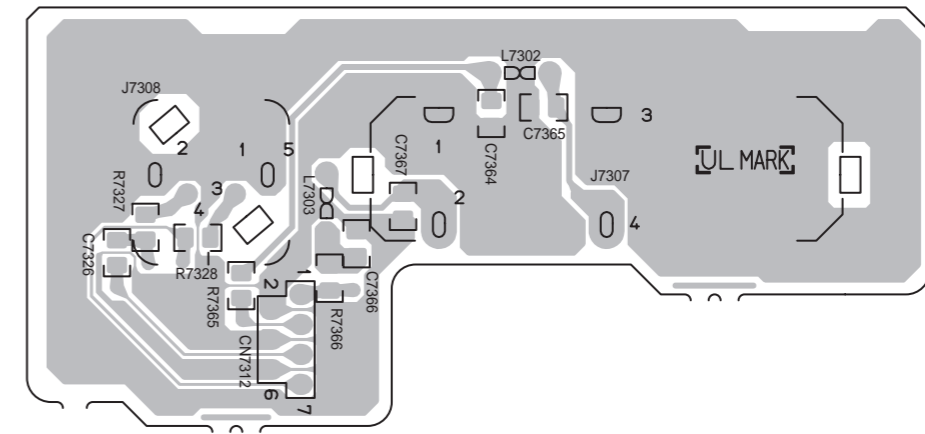
■ Main board



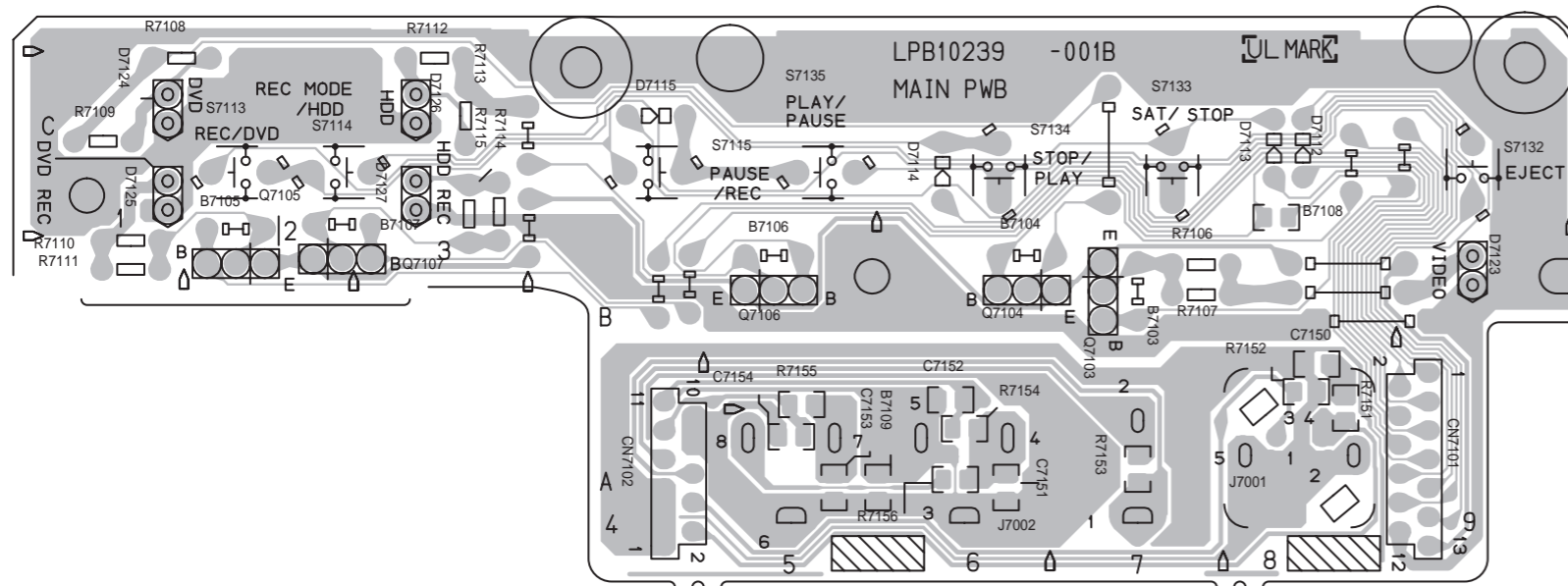
■ FL Display board



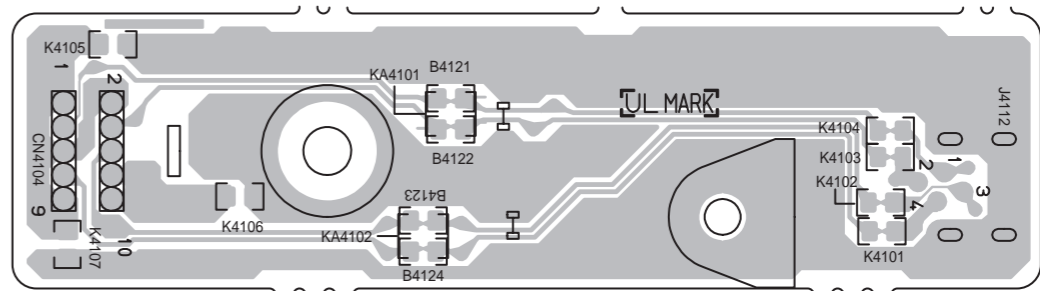
■ S-video / RCA output terminal board



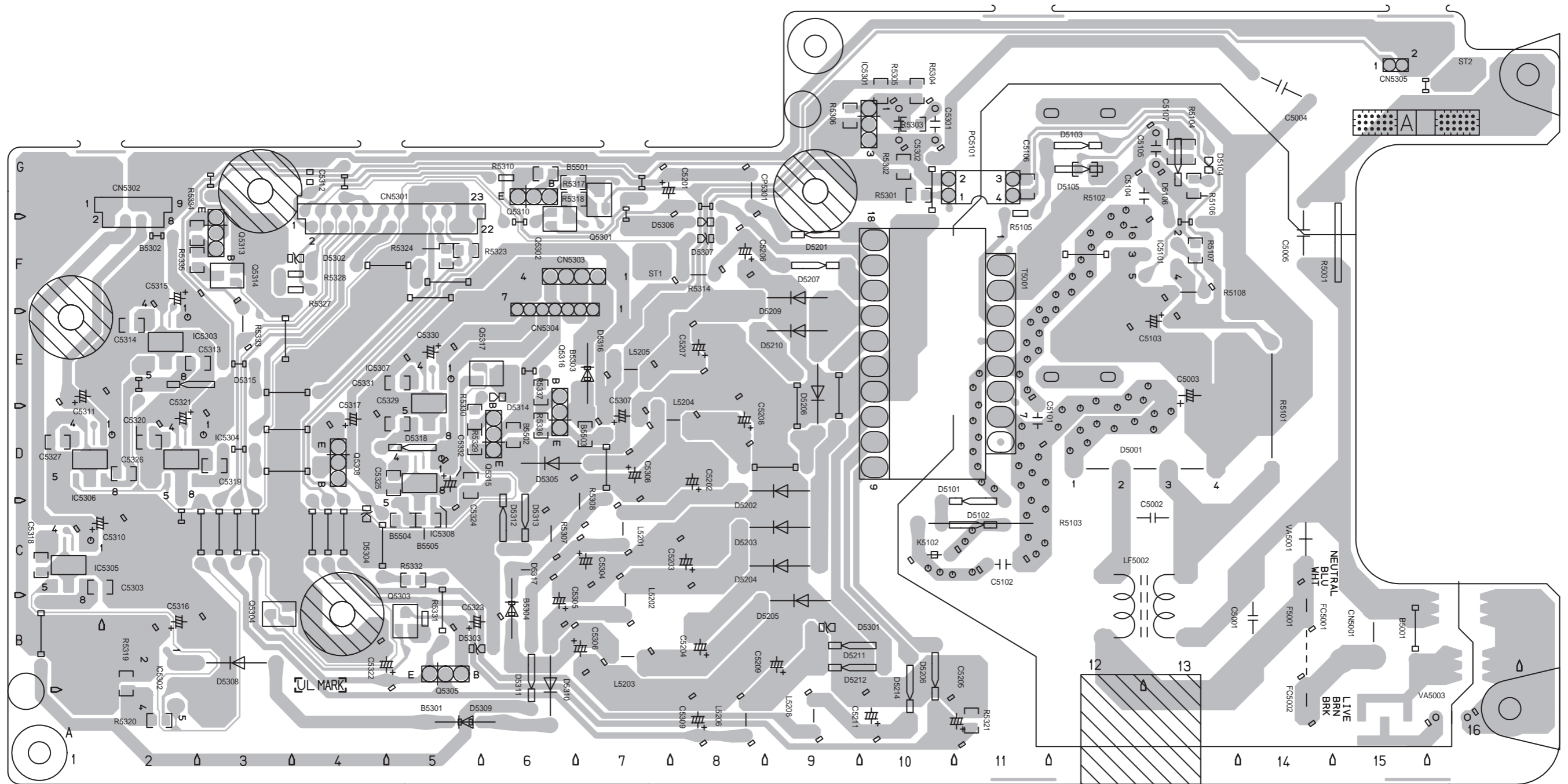
■ Operation switch board



■ DV Terminal board

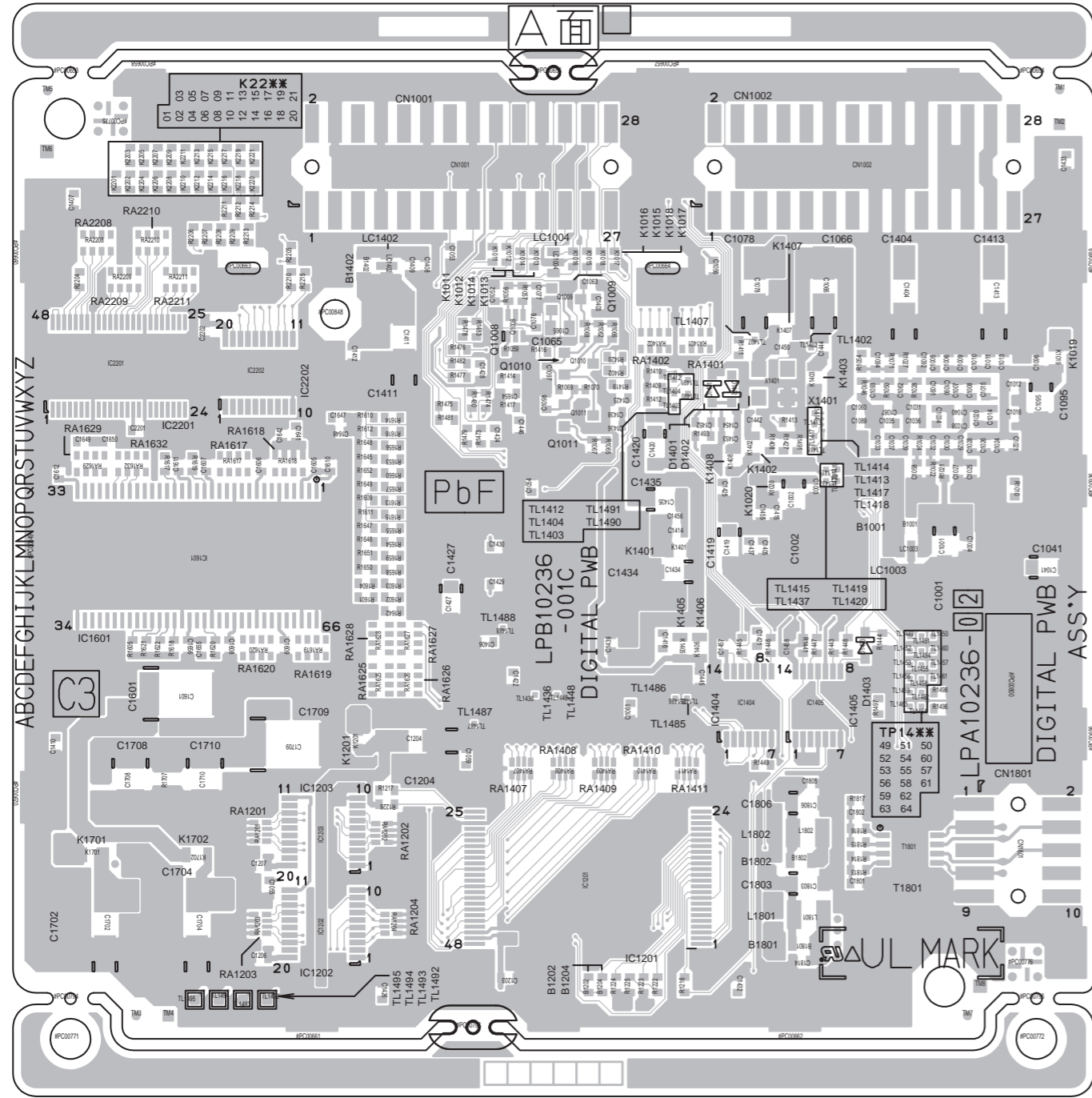


■ Power supply board

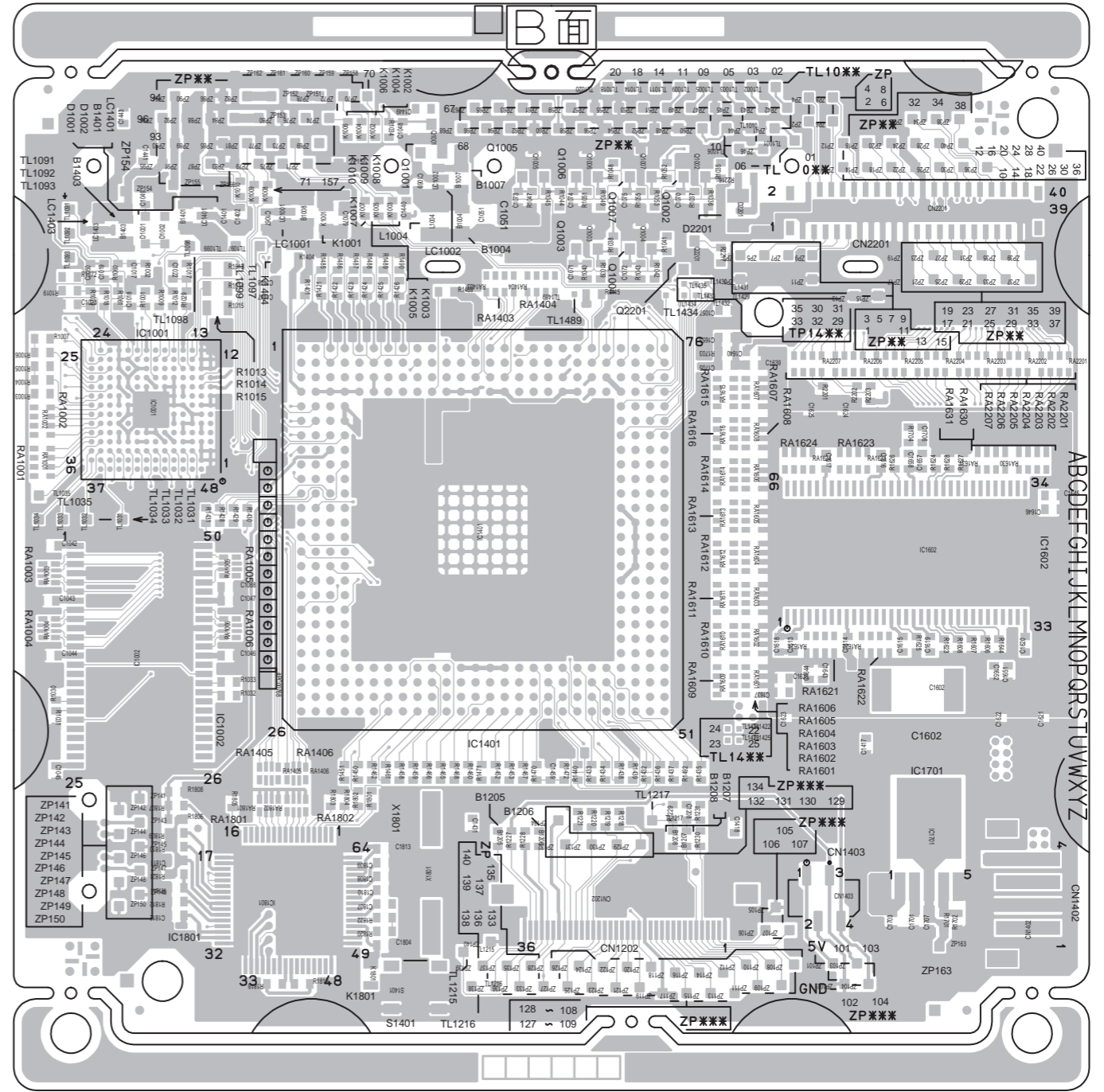


DVD module board

Forward side

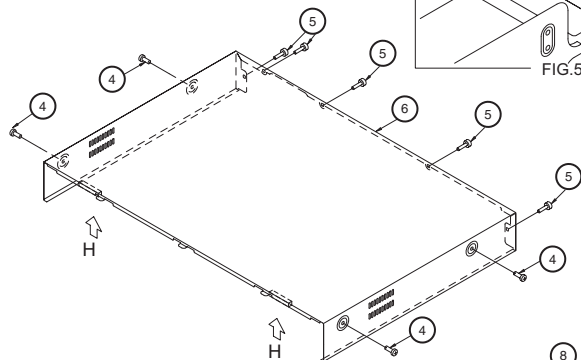
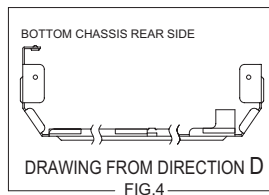
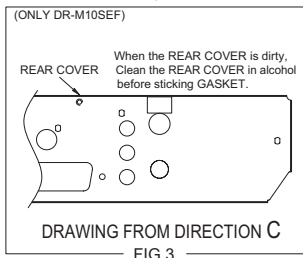
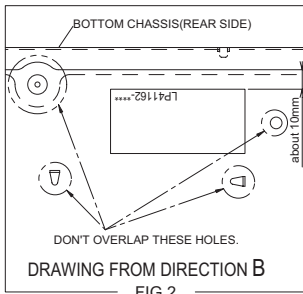
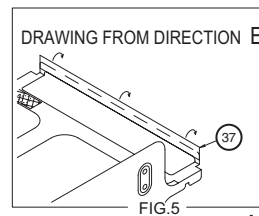
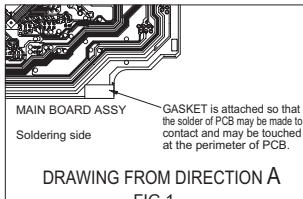


Reverse side

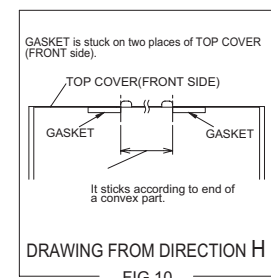
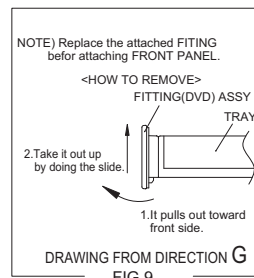
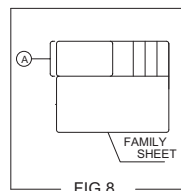
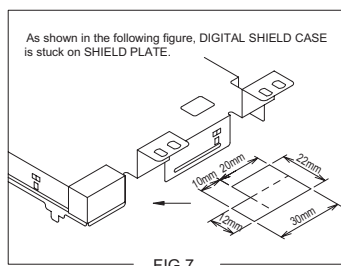
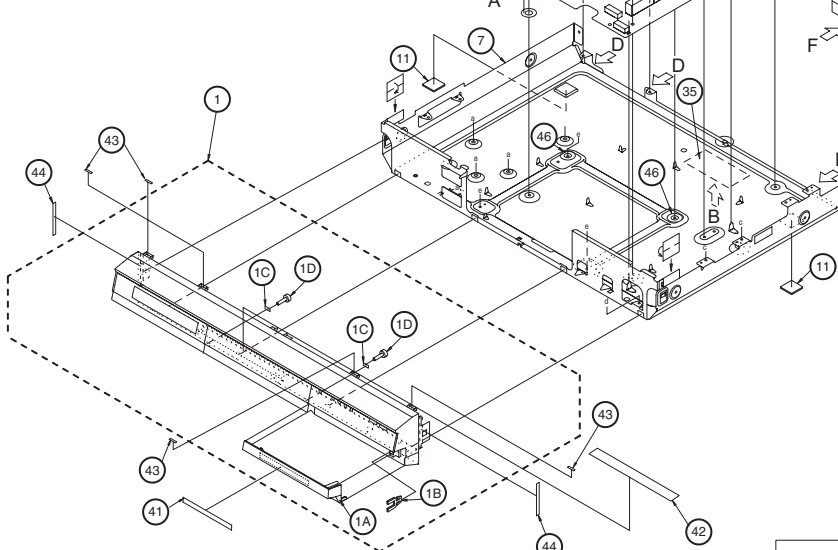
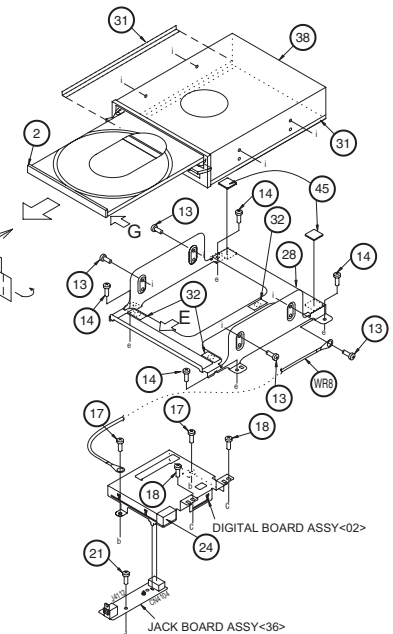
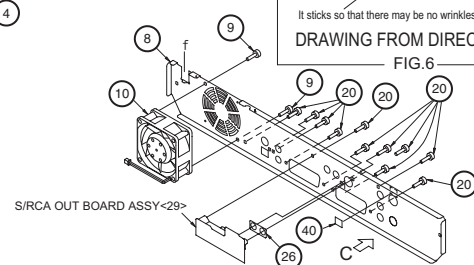
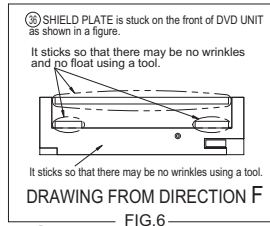


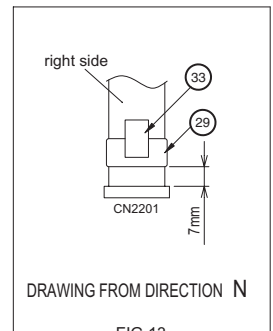
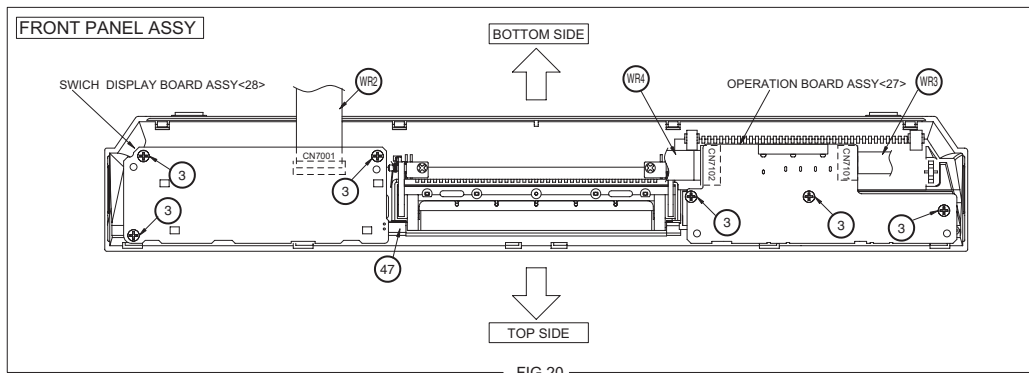
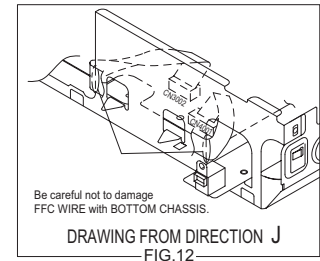
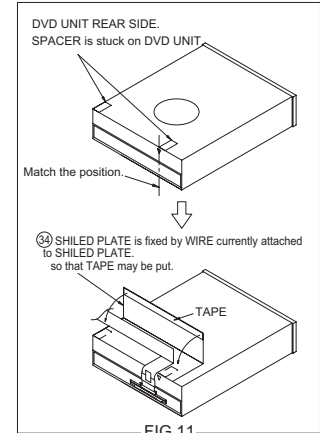
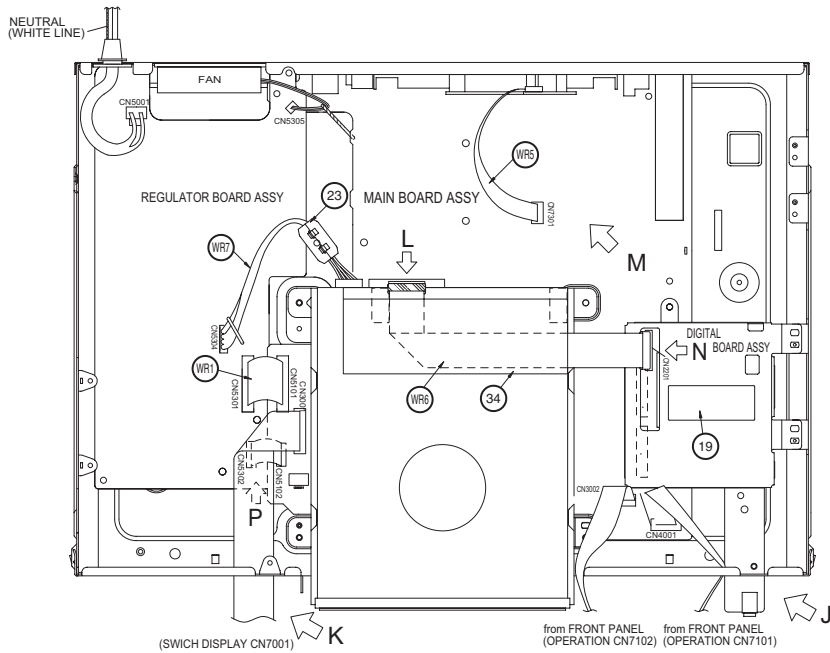
Exploded view of general assembly and parts list

Block No.M1MM

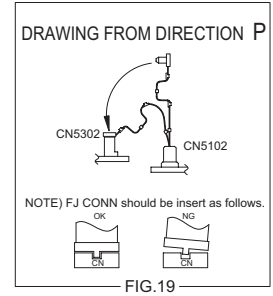
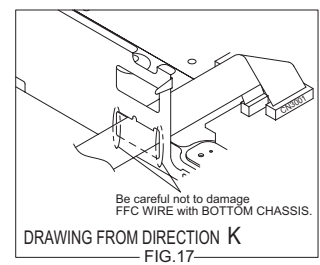
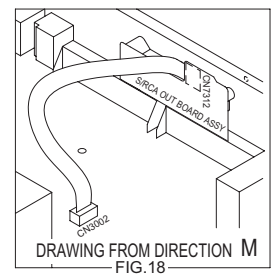
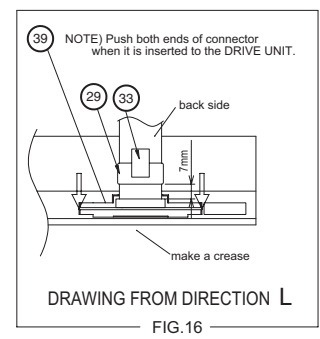
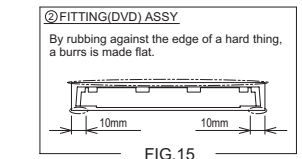
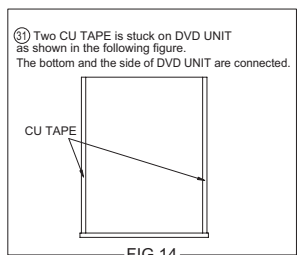


When a mechanism assembly is exchanged, please be sure to stick a shield plate.





- Insert direction of FFC WIRE as follows.
 - right side: electrode side
 - back side: supporting side
- FFC WIRE and DRUM FPC WIRE should be insert as follows.
 - OK: 90°
 - NG: 180°
- Insert direction of POWER CORD.
 - US/UC/JPN: WHITE LINE
 - except US/UC/JPN: BLUE
- Insert the wire to even the root of connector completely at the same time as inserting each wire.



General assembly

Block No. [M][1][M][M]

Symbol No.	Part No.	Part Name	Description	Local
△ 1	LP10533-015A	FRONT PANEL ASSY		M10BE
△ 1	LP10533-004A	FRONT PANEL ASSY		M10SEK
△ 1	LP10533-001A	FRONT PANEL ASSY		M10SE,M10SEF,M10SER
1A	LP21252-002A	DOOR		M10BE
1A	LP21252-001A	DOOR		M10SE,M10SEF,M10SEK,M10SER
1B	PU60109	CATCHER		
1C	LP31382-001A	STOPPER	(x2)	
1D	QYTDSF2608ZA	TAP SCREW	M2.6 x 8mm(x2)	
2	LP31372-003A	FITTING(DVD) ASSY		M10BE
2	LP31372-002A	FITTING(DVD) ASSY		M10SE,M10SEF,M10SEK,M10SER
3	QYTDSF2608ZA	TAP SCREW	M2.6 x 8mm FRONT BOARD ASSY(x6)	
4	QYSBSG3006MA	TAP SCREW	M3 x 6mm TOP SIDE(x4)	M10BE
4	QYSBSG3006NA	TAP SCREW	M3 x 6mm TOP SIDE(x4)	M10SE,M10SEF,M10SEK,M10SER
5	QYSBSG3006MA	TAP SCREW	M3 x 6mm TOP REAR(x5)	M10BE
5	QYSBSG3006NA	TAP SCREW	M3 x 6mm TOP REAR(x5)	M10SE,M10SEF,M10SEK,M10SER
△ 6	LP21256-008A	METAL COVER		M10BE
△ 6	LP21256-006A	METAL COVER		M10SE,M10SEF,M10SEK,M10SER
△ 7	LP10538-002A	BOTTOM CHASSIS		
△ 8	LP21257-011A	REAR PANEL		M10BE,M10SE,M10SEF
△ 8	LP21257-012A	REAR PANEL		M10SEK
△ 8	LP21257-013A	REAR PANEL		M10SER
9	QYTDSF3008MA	TAP SCREW	M3 x 8mm FAN(x2)	
10	QAR0326-001	FAN MOTOR		
11	LP31348-002A	FOOT	(x2)	
12	PEME0946-08	SPACER	(x4)	
13	QYTDST3006ZA	TAP SCREW	M3 x 6mm DVD UNIT(x4)	
14	LP31391-001A	SPECIAL SCREW	BRACKET(DVD)(x4)	
15	LP31391-001A	SPECIAL SCREW	MAIN(x2)	
16	LP31391-001A	SPECIAL SCREW	REGULATOR BOARD ASSY(x2)	
17	QYSPSGG3006ZA	TAP SCREW	M3 x 6mm DIGITAL BOARD ASSY(x2)	M10BE
17	LP31391-001A	SPECIAL SCREW	DIGITAL BOARD ASSY(x2)	M10SE,M10SEF,M10SEK,M10SER
18	QYSPSGG3006ZA	TAP SCREW	M3 x 6mm DIGITAL BOARD ASSY(x2)	
19	LP31023-001A	BARCODE LABEL		
20	QYSBSGY3008MA	TAP SCREW	JACK(x11)	
21	LP31391-001A	SPECIAL SCREW	JACK BOARD ASSY	
△ 22	QMP51K0-170-K	POWER CORD	1.7m BLACK	M10SEK
△ 22	QMP4A10-170	POWER CORD	1.7m BLACK	M10BE,M10SE,M10SEF,M10SER
23	QQR0917-002	CORE FILTER		
24	LP41163-001A	SHIELD PLATE		
25	PU43192-4	BINDER		
26	LP41165-002A	GASKET		
28	LP21156-003A	BRACKET(DVD DRIVE)		
29	QQR1439-003	FERRITE CORE	(x2)	
30	QQR0491-001	FERRITE CORE	TDK (GRAY)	
31	LP41168-001A	CU TAPE	(x2)	
32	LP30002-0F9A	SPACER	(x3)	
33	LP30002-0F6A	SPACER	(x3)	
34	LP31418-001A	SHIELD PLATE		
35	LP41162-001A	LABEL		
36	LP31417-001A	SHIELD PLATE		
37	LP30002-0G4A	SPACER		
△ 38	QAL0551-001	DRIVE UNIT		
39	QGZ0018A1-40	CONNECTOR	(1-40)	
40	LP41107-002A	GASKET		M10SEF
41	LP41120-001A	STICKER(FRONT)		M10SER
42	LP31153-015A	STICKER(TOP)		M10SER
43	LP30002-0G2A	SPACER	(x4)	
44	LP30002-0G3A	SPACER	(x2)	
45	LP30002-0G1A	SPACER	(x2)	
46	QYVWS42C008Z	WASHER	12mm/4.2mm x 0.8mm(x2)	
47	LP41170-001A	SPACER(BLIND)		
WR1	QUQ112-1907CJ	FFC WIRE	REGULATOR CN5301-MAIN CN5101	
WR2	QUQ112-1818CJ	FFC WIRE	SWICH DISPLAY CN7001-MAIN CN3001	
WR3	QUQ112-0912CG	FFC WIRE	OPERATION CN7101-MAIN CN3002	
WR4	QUQ112-1112CG	FFC WIRE	OPERATION CN7102-MAIN CN4001	
WR5	QUQ112-0714CG	FFC WIRE	S/RCA OUT CN7312-MAIN CN7301	
WR6	QUQ605-4022AH	FFC WIRE	DIGITAL CN2201-DVD UNIT	
WR7	QJJ032-041214	WIRE	REGULATOR CN5304-DVD UNIT	
WR8	QUB130-12DMDM	WIRE		

Electrical parts list

Regulator board

Block No. [0][1]

△ Symbol No.	Part No.	Part Name	Description	Local	△ Symbol No.	Part No.	Part Name	Description	Local
	PW1	LPA10235-03C	REGULATOR BOARD ASSY		D5204	RK34-LFB2	SB DIODE		
IC5101	STR-G6653-F9	IC			D5205	RL2Z-LFB2	FRD		
IC5301	UTCTL431-T	IC			D5206	1F4G-T2	FR DIODE		
IC5301	or MM1431AT-T	IC			D5206	or 10ERB40-T2	FR DIODE		
IC5301	or L5431-T	IC			D5206	or ERA18-02-T2	FR DIODE		
IC5301	or TL431/A-T	IC			D5206	or AU01Z-T2	FR DIODE		
IC5302	PQ5EV3	IC			D5206	or 1SR153-400-T2	FR DIODE		
IC5304	MM1565AF-X	IC	5.0V		D5207	1F4G-T2	FR DIODE		
IC5305	MM1662GH-X	IC			D5207	or 10ERB40-T2	FR DIODE		
IC5306	MM1563EF-X	IC	3.4V		D5207	or ERA18-02-T2	FR DIODE		
Q5301	DTA114EKA-X	DIGI TRANSISTOR			D5207	or AU01Z-T2	FR DIODE		
Q5301	or UN2111-X	TRANSISTOR			D5207	or 1SR153-400-T2	FR DIODE		
Q5301	or RT1P141C-X	DIGI TRANSISTOR			D5208	RK34-LFB2	SB DIODE		
Q5302	DTC114EKA-X	TRANSISTOR			D5209	RK34-LFB2	SB DIODE		
Q5302	or UN2211-X	TRANSISTOR			D5210	RK34-LFB2	SB DIODE		
Q5302	or RT1N141C-X	DIGI TRANSISTOR			D5211	1F4G-T2	FR DIODE		
Q5303	DTA114EKA-X	DIGI TRANSISTOR			D5211	or 10ERB40-T2	FR DIODE		
Q5303	or UN2111-X	TRANSISTOR			D5211	or ERA18-02-T2	FR DIODE		
Q5303	or RT1P141C-X	DIGI TRANSISTOR			D5211	or AU01Z-T2	FR DIODE		
Q5304	DTC114EKA-X	TRANSISTOR			D5211	or 1SR153-400-T2	FR DIODE		
Q5304	or UN2211-X	TRANSISTOR			D5301	MTZJ15A-T2	Z DIODE		
Q5304	or RT1N141C-X	DIGI TRANSISTOR			D5301	or RD1E5S/B1/-T2	Z DIODE		
Q5305	2SD2144S/UV/-T	TRANSISTOR			D5302	MTZJ12B-T2	Z DIODE		
Q5305	or 2SC3576-JVC-T	TRANSISTOR			D5302	or RD12E5/B2/-T2	Z DIODE		
Q5308	2SD1858/QR/-T	TRANSISTOR			D5302	or RD12E5/B2/-T2	Z DIODE		
Q5310	2SD2144S/UV/-T	TRANSISTOR			D5303	MTZJ11C-T2	Z DIODE		
Q5310	or 2SC3576-JVC-T	TRANSISTOR			D5303	or RD11E5S/B3/-T2	Z DIODE		
Q5313	2SA1585S/QR/-T	TRANSISTOR			D5304	MTZJ5.6C-T2	Z DIODE		
Q5314	DTC114EKA-X	TRANSISTOR			D5304	or RD5.6ES/B3/-T2	Z DIODE		
Q5314	or UN2211-X	TRANSISTOR			D5305	RL2Z-LFB2	FRD		
Q5314	or RT1N141C-X	DIGI TRANSISTOR			D5306	1SS133-T2	DIODE		
Q5315	2SA1585S/QR/-T	TRANSISTOR			D5306	or 1SS270A-T2	SI DIODE		
Q5316	2SA1585S/QR/-T	TRANSISTOR			D5307	MTZJ27C-T2	Z DIODE		
Q5317	DTC114EKA-X	TRANSISTOR			D5307	or RD27E5/B3/-T2	Z DIODE		
Q5317	or UN2211-X	TRANSISTOR			D5308	RK34-LFB2	SB DIODE		
Q5317	or RT1N141C-X	DIGI TRANSISTOR			D5309	RK34-LFB2	SB DIODE		
△ D5001	D3SBA60	DIODE			D5310	RK34-LFB2	SB DIODE		
D5001	or GBJ4J	BRIDGE DIODE			D5311	1S4-T2	SB DIODE		
D5101	10ERB40-T2	FR DIODE			D5311	or AW04-T2	SB DIODE		
D5101	or AU01-T2	SI DIODE			D5311	or SBO40-T2	SB DIODE		
D5101	or ERA18-04-T2	FR DIODE			D5311	or 11EQS04-T2	SB DIODE		
D5101	or 1SR153-400-T2	FR DIODE			D5314	1SS133-T2	DIODE		
D5101	or 1F4G-T2	FR DIODE			D5314	or 1SS270A-T2	SI DIODE		
D5102	10ERB40-T2	FR DIODE			D5315	1A3G-T2	SI DIODE		
D5102	or AU01-T2	SI DIODE			D5315	or 10EDB20-T2	SI DIODE		
D5102	or ERA18-04-T2	FR DIODE			D5315	or ERA15-02-T2	SI DIODE		
D5102	or 1SR153-400-T2	FR DIODE			D5318	1A3G-T2	SI DIODE		
D5102	or 1F4G-T2	FR DIODE			D5318	or 10EDB20-T2	SI DIODE		
D5103	1F4G-T2	FR DIODE			D5318	or ERA15-02-T2	SI DIODE		
D5103	or 10ERB40-T2	FR DIODE			△ PC5101	PC123Y22FZ	PHOTO COUPLER		
D5103	or ERA18-02-T2	FR DIODE			△ C5001	QFZ9073-683	MM CAPACITOR	0.068uF AC250V M	
D5103	or AU01Z-T2	FR DIODE			△ C5002	QFZ9073-223	MM CAPACITOR	0.022uF AC250V M	
D5103	or 1SR153-400-T2	FR DIODE			C5003	QEZ0374-826	E CAPACITOR	82uF 400V M	
D5104	1SS133-T2	DIODE			△ C5004	QCZ9079-222	C CAPACITOR	2200pF AC250V M	
D5104	or 1SS270A-T2	SI DIODE			C5101	QCZ0339-101Z	C CAPACITOR	100pF 1kV K	
D5105	10ERB40-T2	FR DIODE			C5102	QCZ0349-472Z	C CAPACITOR	4700pF 1kV K	
D5105	or ERA18-02-T2	FR DIODE			C5103	QEMU1VM-276Z	E CAPACITOR	27uF 35V M	
D5105	or AU01Z-T2	FR DIODE			C5104	QCZ0136-471Z	C CAPACITOR	470pF 1kV K	
D5105	or 1SR153-400-T2	FR DIODE			C5105	QFLC1HJ-471Z	M CAPACITOR	470pF 50V J	
D5106	10ERB40-T2	FR DIODE			C5106	NCB31HK-103X	C CAPACITOR	0.01uF 50V K	
D5106	or ERA18-02-T2	FR DIODE			C5107	NCB31HK-221X	C CAPACITOR	220pF 50V K	
D5106	or AU01Z-T2	FR DIODE			C5201	QEMX0JM-227Z	E CAPACITOR	220uF 6.3V M	
D5106	or 1SR153-400-T2	FR DIODE			C5202	QEMT0JM-128	E CAPACITOR	1200uF 6.3V M	
D5106	or 1F4G-T2	FR DIODE			C5203	QEMT1AM-228	E CAPACITOR	2200uF 10V M	
D5106	or ERA18-02-T2	FR DIODE			C5204	QEMT1CM-228	E CAPACITOR	2200uF 16V M	
D5106	or AU01Z-T2	FR DIODE			C5205	QETN2AM-475Z	E CAPACITOR	4.7uF 100V M	
D5106	or 1SR153-400-T2	FR DIODE			C5206	QEMU1HM-186Z	E CAPACITOR	18uF 50V M	
D5106	or 1F4G-T2	FR DIODE			C5207	QEMT1AM-228	E CAPACITOR	2200uF 10V M	
D5201	10ERB40-T2	FR DIODE			C5208	QEMT1AM-228	E CAPACITOR	2200uF 10V M	
D5201	or ERA18-02-T2	FR DIODE			C5209	QEMT1CM-687	E CAPACITOR	680uF 16V M	
D5202	RK34-LFB2	SB DIODE			C5301	QFVF1HJ-154Z	MF CAPACITOR	0.15uF 50V J	
D5203	RK34-LFB2	SB DIODE			C5302	QFLC1HJ-333Z	M CAPACITOR	0.033uF 50V J	
					C5303	NCF31AZ-105X	C CAPACITOR	1uF 10V Z	

△ Symbol No.	Part No.	Part Name	Description	Local
C5304	QETN1AM-107Z	E CAPACITOR	100uF 10V M	
C5305	QETN1AM-107Z	E CAPACITOR	100uF 10V M	
C5306	QETN1CM-107Z	E CAPACITOR	100uF 16V M	
C5307	QETN1AM-107Z	E CAPACITOR	100uF 10V M	
C5308	QETN1CM-107Z	E CAPACITOR	100uF 16V M	
C5309	QETN1CM-107Z	E CAPACITOR	100uF 16V M	
C5310	QETN1HM-226Z	E CAPACITOR	22uF 50V M	
C5311	QETN1HM-226Z	E CAPACITOR	22uF 50V M	
C5312	QCBB1HK-103Y	C CAPACITOR	0.01uF 50V K	
C5316	QETN1AM-107Z	E CAPACITOR	100uF 10V M	
C5317	QETN1AM-107Z	E CAPACITOR	100uF 10V M	
C5318	NCB31HK-471X	C CAPACITOR	470pF 50V K	
C5319	NCF31AZ-105X	C CAPACITOR	1uF 10V Z	
C5320	NCB31HK-471X	C CAPACITOR	470pF 50V K	
C5321	QETN1HM-226Z	E CAPACITOR	22uF 50V M	
C5322	QETN1CM-107Z	E CAPACITOR	100uF 16V M	
C5323	QETN1HM-225Z	E CAPACITOR	2.2uF 50V M	
C5326	NCF31AZ-105X	C CAPACITOR	1uF 10V Z	
C5327	NCB31HK-471X	C CAPACITOR	470pF 50V K	
R5101	QRG02GJ-683	OMF RESISTOR	68kΩ 2W J	
R5102	NRSA63J-122X	MG RESISTOR	1.2kΩ 1/16W J	
R5103	QRG02GJ-683	OMF RESISTOR	68kΩ 2W J	
R5104	NRSA63J-102X	MG RESISTOR	1kΩ 1/16W J	
R5105	QRE141J-680Y	C RESISTOR	68Ω 1/4W J	
R5106	NRSA63J-392X	MG RESISTOR	3.9kΩ 1/16W J	
R5107	NRSA63J-681X	MG RESISTOR	680Ω 1/16W J	
R5108	QRT01DJ-R33X	MF RESISTOR	0.33Ω 1W J	
R5301	NRSA63J-221X	MG RESISTOR	220Ω 1/16W J	
R5302	NRSA63J-472X	MG RESISTOR	47kΩ 1/16W J	
R5303	NRSA63J-152X	MG RESISTOR	1.5kΩ 1/16W J	
R5304	NRSA63D-682X	MG RESISTOR	6.8kΩ 1/16W D	
R5305	NRSA63D-203X	MG RESISTOR	20kΩ 1/16W D	
R5306	NRSA63D-392X	MG RESISTOR	3.9kΩ 1/16W D	
R5310	QRE141J-8R2Y	C RESISTOR	8.2Ω 1/4W J	
△ R5314	QRZ9051-470X	FUSI RESISTOR	47Ω 1/4W J	
R5317	NRSA63J-222X	MG RESISTOR	2.2kΩ 1/16W J	
R5318	NRSA63J-102X	MG RESISTOR	1kΩ 1/16W J	
R5319	NRSA63D-302X	MG RESISTOR	3kΩ 1/16W D	
R5320	NRSA63D-472X	MG RESISTOR	4.7kΩ 1/16W D	
R5321	NRSA63J-473X	MG RESISTOR	47kΩ 1/16W J	
R5323	NRSA63J-122X	MG RESISTOR	1.2kΩ 1/16W J	
R5324	NRSA63J-102X	MG RESISTOR	1kΩ 1/16W J	
R5327	QRE141J-681Y	C RESISTOR	680Ω 1/4W J	
R5328	QRE141J-821Y	C RESISTOR	820Ω 1/4W J	
R5329	NRSA63J-103X	MG RESISTOR	10kΩ 1/16W J	
R5330	NRSA63J-471X	MG RESISTOR	470Ω 1/16W J	
R5331	QRE141J-103Y	C RESISTOR	10kΩ 1/4W J	
R5332	NRSA63J-471X	MG RESISTOR	470Ω 1/16W J	
R5333	QRE123J-101X	C RESISTOR	100Ω 1/2W J	
R5334	NRSA63J-103X	MG RESISTOR	10kΩ 1/16W J	
R5335	NRSA63J-102X	MG RESISTOR	1kΩ 1/16W J	
R5336	NRSA63J-103X	MG RESISTOR	10kΩ 1/16W J	
R5337	NRSA63J-102X	MG RESISTOR	1kΩ 1/16W J	
L5201	PELN1184	CHOKE COIL		
L5202	PELN1184	CHOKE COIL		
L5203	PELN1184	CHOKE COIL		
L5204	PELN1184	CHOKE COIL		
L5205	PELN1184	CHOKE COIL		
L5206	PELN1184	CHOKE COIL		
△ T5001	QQS0263-001	SW TRANSF		
B5504	NRSA63J-0R0X	MG RESISTOR	0Ω 1/16W J	
B5507	NRSA63J-0R0X	MG RESISTOR	0Ω 1/16W J	
△ CN5001	QGA7901C3-02	CONNECTOR	W-B (1-2)	
CN5301	QGF1207C-1-19	CONNECTOR	FFC/FPC (1-19)	
CN5302	QGB1231L1-09	CONNECTOR	B-B (1-9)	
CN5303	QGA2501C1-04	CONNECTOR	W-B (1-4)	
CN5305	QGA2001C1-02	CONNECTOR	W-B (1-2)	
△ CP5301	QMFZ050-1R5X-E	FUSE	1.5A 125V	
△ F5001	QMF51E2-1R6-J1	FUSE	1.6A AC250V	
FC5001	QNG0020-001Z	FUSE CLIP		
FC5002	QNG0020-001Z	FUSE CLIP		
HS1	PEME0889-01-01	HEAT SINK		
K5102	QQR0678-001Z	FERRITE BEADS		
△ LF5002	QQR1031-001	LINE FILTER		
OT1	QYTDST3008Z	TAP SCREW	M3 x 8mm IC5101	

△ Symbol No.	Part No.	Part Name	Description	Local
OT2	LP31414-001A	PROTECT SHEET		
ST1	PU59391	STYLE PIN		

Digital board

Block No. [0][2]

△ Symbol No.	Part No.	Part Name	Description	Local
PW1	LPA10236-03C	DIGITAL BOARD ASSY		
IC1001	JCP8059	IC		
IC1002	HY57V161610DTC7	IC		
IC1002	or K4S161622H-TC80	IC		
IC1002	or MT48LC1M16A1TG8	IC		
IC1002	or HY57V161610DTC8	IC		
IC1002	or MT48LC1M16TG-7S	IC		
IC1201	MBPL65LMDRM10E	IC		
IC1202	SN74LVC373APW-X	IC(DIGITAL)		
IC1203	SN74LVC373APW-X	IC(DIGITAL)		
IC1401	DMN8652-BO	IC(DIGITAL)		
IC1404	SN74HCT08APW-X	IC		
IC1405	SN74LV08APW-X	IC		
IC1601	HY5DU561622CT-J	IC		
IC1602	HY5DU561622CT-J	IC		
IC1701	PQ015Y201Z-X	IC		
IC1801	TSB41AB2PAP	IC		
Q1002	2SA1037AK/QR/-X	TRANSISTOR		
Q1002	or 2SA1530A/QR/-X	SI TRANSISTOR		
Q1002	or 2SB709A/QR/-X	TRANSISTOR		
Q1003	2SA1037AK/QR/-X	TRANSISTOR		
Q1003	or 2SA1530A/QR/-X	SI TRANSISTOR		
Q1003	or 2SB709A/QR/-X	TRANSISTOR		
Q1004	2SA1037AK/QR/-X	TRANSISTOR		
Q1004	or 2SA1530A/QR/-X	SI TRANSISTOR		
Q1004	or 2SB709A/QR/-X	TRANSISTOR		
Q1005	2SA1037AK/QR/-X	TRANSISTOR		
Q1005	or 2SA1530A/QR/-X	SI TRANSISTOR		
Q1005	or 2SB709A/QR/-X	TRANSISTOR		
Q1006	2SA1037AK/QR/-X	TRANSISTOR		
Q1006	or 2SA1530A/QR/-X	SI TRANSISTOR		
Q1006	or 2SB709A/QR/-X	TRANSISTOR		
Q1007	2SA1037AK/QR/-X	TRANSISTOR		
Q1007	or 2SA1530A/QR/-X	SI TRANSISTOR		
Q1007	or 2SB709A/QR/-X	TRANSISTOR		
Q1008	UMZ1N-W	PAIR TRANSISTOR		
Q1008	or BC847PN-X	PAIR TRANSISTOR		
Q1008	or BC846PN-X	PAIR TRANSISTOR		
Q1009	2SC2412K/QRS/-X	TRANSISTOR		
Q1009	or 2SC3928A/QRS/-X	TRANSISTOR		
Q1009	or 2SD601A/QRS/-X	TRANSISTOR		
Q1010	2SC2412K/QRS/-X	TRANSISTOR		
Q1010	or 2SC3928A/QRS/-X	TRANSISTOR		
Q1010	or 2SD601A/QRS/-X	TRANSISTOR		
Q1011	2SC2412K/QRS/-X	TRANSISTOR		
Q1011	or 2SC3928A/QRS/-X	TRANSISTOR		
Q1011	or 2SD601A/QRS/-X	TRANSISTOR		
D1001	1SS355-X	SI DIODE		
D1001	or MA111-X	SI DIODE		
D1002	1SS355-X	SI DIODE		
D1002	or MA111-X	SI DIODE		
D1401	1SS355-X	SI DIODE		
D1401	or MA111-X	SI DIODE		
D1402	1SS355-X	SI DIODE		
D1402	or MA111-X	SI DIODE		
D1403	1SS355-X	SI DIODE		
D1403	or MA111-X	SI DIODE		
C1001	NBE20JM-226X	TA E CAPACITOR	22uF 6.3V M	
C1002	NBE20JM-106X	TA E CAPACITOR	10uF 6.3V M	
C1003	NCB31CK-104X	C CAPACITOR	0.1uF 16V K	
C1004	NCB31CK-104X	C CAPACITOR	0.1uF 16V K	
C1005	NCB31CK-104X	C CAPACITOR	0.1uF 16V K	

△ Symbol No.	Part No.	Part Name	Description	Local	△ Symbol No.	Part No.	Part Name	Description	Local
C1811	NCB31CK-104X	C CAPACITOR	0.1uF 16V K		R1230	NRSA63J-472X	MG RESISTOR	4.7kΩ 1/16W J	
C1812	NCB31CK-104X	C CAPACITOR	0.1uF 16V K		R1231	NRSA63J-472X	MG RESISTOR	4.7kΩ 1/16W J	
C2201	NCB31CK-104X	C CAPACITOR	0.1uF 16V K		R1401	NRSA63F-1181X	MG RESISTOR	1.18kΩ 1/16W F	
C2202	NCB31CK-104X	C CAPACITOR	0.1uF 16V K		R1402	NRSA63J-0R0X	MG RESISTOR	0Ω 1/16W J	
R1001	NRSA63D-221X	MG RESISTOR	220Ω 1/16W D		R1408	NRSA63J-102X	MG RESISTOR	1kΩ 1/16W J	
R1002	NRSA63J-0R0X	MG RESISTOR	0Ω 1/16W J		R1409	NRSA63J-103X	MG RESISTOR	10kΩ 1/16W J	
R1003	NRSA63J-0R0X	MG RESISTOR	0Ω 1/16W J		R1410	NRSA63J-103X	MG RESISTOR	10kΩ 1/16W J	
R1004	NRSA63J-0R0X	MG RESISTOR	0Ω 1/16W J		R1411	NRSA63J-101X	MG RESISTOR	100Ω 1/16W J	
R1005	NRSA63J-103X	MG RESISTOR	10kΩ 1/16W J		R1412	NRSA63J-103X	MG RESISTOR	10kΩ 1/16W J	
R1006	NRSA63J-0R0X	MG RESISTOR	0Ω 1/16W J		R1413	NRSA63J-103X	MG RESISTOR	10kΩ 1/16W J	
R1007	NRSA63J-103X	MG RESISTOR	10kΩ 1/16W J		R1414	NRSA63J-102X	MG RESISTOR	1kΩ 1/16W J	
R1009	NRSA63J-103X	MG RESISTOR	10kΩ 1/16W J		R1415	NRSA63J-102X	MG RESISTOR	1kΩ 1/16W J	
R1012	NRSA63J-0R0X	MG RESISTOR	0Ω 1/16W J		R1416	NRSA63J-102X	MG RESISTOR	1kΩ 1/16W J	
R1013	NRSA02J-0R0X	MG RESISTOR	0Ω 1/10W J		R1417	NRSA63J-102X	MG RESISTOR	1kΩ 1/16W J	
R1014	NRSA02J-0R0X	MG RESISTOR	0Ω 1/10W J		R1419	NRSA63J-101X	MG RESISTOR	100Ω 1/16W J	
R1015	NRSA02J-0R0X	MG RESISTOR	0Ω 1/10W J		R1420	NRSA63J-101X	MG RESISTOR	100Ω 1/16W J	
R1017	NRSA63J-0R0X	MG RESISTOR	0Ω 1/16W J		R1427	NRSA63J-101X	MG RESISTOR	100Ω 1/16W J	
R1018	NRSA63J-0R0X	MG RESISTOR	0Ω 1/16W J		R1428	NRSA63J-101X	MG RESISTOR	100Ω 1/16W J	
R1019	NRSA63J-0R0X	MG RESISTOR	0Ω 1/16W J		R1429	NRSA63J-101X	MG RESISTOR	100Ω 1/16W J	
R1021	NRSA63D-332X	MG RESISTOR	3.3kΩ 1/16W D		R1430	NRSA63J-101X	MG RESISTOR	100Ω 1/16W J	
R1022	NRSA63D-152X	MG RESISTOR	1.5kΩ 1/16W D		R1431	NRSA63J-101X	MG RESISTOR	100Ω 1/16W J	
R1024	NRSA63D-272X	MG RESISTOR	2.7kΩ 1/16W D		R1434	NRSA63J-101X	MG RESISTOR	100Ω 1/16W J	
R1027	NRSA63J-272X	MG RESISTOR	2.7kΩ 1/16W J		R1435	NRSA63J-101X	MG RESISTOR	100Ω 1/16W J	
R1028	NRSA63J-272X	MG RESISTOR	2.7kΩ 1/16W J		R1436	NRSA63J-101X	MG RESISTOR	100Ω 1/16W J	
R1029	NRSA63J-0R0X	MG RESISTOR	0Ω 1/16W J		R1437	NRSA63J-0R0X	MG RESISTOR	0Ω 1/16W J	
R1030	NRSA63J-103X	MG RESISTOR	10kΩ 1/16W J		R1438	NRSA63J-101X	MG RESISTOR	100Ω 1/16W J	
R1031	NRSA63J-103X	MG RESISTOR	10kΩ 1/16W J		R1439	NRSA63J-101X	MG RESISTOR	100Ω 1/16W J	
R1032	NRSA63J-103X	MG RESISTOR	10kΩ 1/16W J		R1440	NRSA63J-101X	MG RESISTOR	100Ω 1/16W J	
R1033	NRSA63J-471X	MG RESISTOR	470Ω 1/16W J		R1441	NRSA63J-103X	MG RESISTOR	10kΩ 1/16W J	
R1035	NRSA63J-0R0X	MG RESISTOR	0Ω 1/16W J		R1443	NRSA63J-472X	MG RESISTOR	4.7kΩ 1/16W J	
R1036	NRSA63J-102X	MG RESISTOR	1kΩ 1/16W J		R1444	NRSA63J-472X	MG RESISTOR	4.7kΩ 1/16W J	
R1037	NRSA63D-101X	MG RESISTOR	100Ω 1/16W D		R1445	NRSA63J-101X	MG RESISTOR	100Ω 1/16W J	
R1038	NRSA63J-0R0X	MG RESISTOR	0Ω 1/16W J		R1446	NRSA63J-101X	MG RESISTOR	100Ω 1/16W J	
R1039	NRSA63J-102X	MG RESISTOR	1kΩ 1/16W J		R1447	NRSA63J-101X	MG RESISTOR	100Ω 1/16W J	
R1040	NRSA63D-101X	MG RESISTOR	100Ω 1/16W D		R1448	NRSA63J-101X	MG RESISTOR	100Ω 1/16W J	
R1041	NRSA63J-0R0X	MG RESISTOR	0Ω 1/16W J		R1449	NRSA63J-101X	MG RESISTOR	100Ω 1/16W J	
R1042	NRSA63J-102X	MG RESISTOR	1kΩ 1/16W J		R1450	NRSA63J-101X	MG RESISTOR	100Ω 1/16W J	
R1043	NRSA63D-151X	MG RESISTOR	150Ω 1/16W D		R1451	NRSA63J-101X	MG RESISTOR	100Ω 1/16W J	
R1044	NRSA63J-0R0X	MG RESISTOR	0Ω 1/16W J		R1452	NRSA63J-101X	MG RESISTOR	100Ω 1/16W J	
R1045	NRSA63J-102X	MG RESISTOR	1kΩ 1/16W J		R1453	NRSA63J-101X	MG RESISTOR	100Ω 1/16W J	
R1046	NRSA63J-332X	MG RESISTOR	3.3kΩ 1/16W J		R1458	NRSA63J-101X	MG RESISTOR	100Ω 1/16W J	
R1047	NRSA63D-201X	MG RESISTOR	200Ω 1/16W D		R1459	NRSA63J-101X	MG RESISTOR	100Ω 1/16W J	
R1048	NRSA63J-0R0X	MG RESISTOR	0Ω 1/16W J		R1460	NRSA63J-101X	MG RESISTOR	100Ω 1/16W J	
R1049	NRSA63J-102X	MG RESISTOR	1kΩ 1/16W J		R1461	NRSA63J-101X	MG RESISTOR	100Ω 1/16W J	
R1050	NRSA63J-152X	MG RESISTOR	1.5kΩ 1/16W J		R1462	NRSA63J-101X	MG RESISTOR	100Ω 1/16W J	
R1051	NRSA63D-271X	MG RESISTOR	270Ω 1/16W D		R1465	NRSA63J-101X	MG RESISTOR	100Ω 1/16W J	
R1052	NRSA63J-0R0X	MG RESISTOR	0Ω 1/16W J		R1466	NRSA63J-101X	MG RESISTOR	100Ω 1/16W J	
R1053	NRSA63J-102X	MG RESISTOR	1kΩ 1/16W J		R1467	NRSA63J-101X	MG RESISTOR	100Ω 1/16W J	
R1054	NRSA63D-332X	MG RESISTOR	3.3kΩ 1/16W D		R1468	NRSA63J-101X	MG RESISTOR	100Ω 1/16W J	
R1055	NRSA63D-181X	MG RESISTOR	180Ω 1/16W D		R1469	NRSA63J-102X	MG RESISTOR	1kΩ 1/16W J	
R1056	NRSA63J-222X	MG RESISTOR	2.2kΩ 1/16W J		R1470	NRSA63J-102X	MG RESISTOR	1kΩ 1/16W J	
R1057	NRSA63J-330X	MG RESISTOR	33Ω 1/16W J		R1471	NRSA63J-101X	MG RESISTOR	100Ω 1/16W J	
R1059	NRSA63J-471X	MG RESISTOR	470Ω 1/16W J		R1472	NRSA63J-0R0X	MG RESISTOR	0Ω 1/16W J	
R1060	NRSA63J-223X	MG RESISTOR	22kΩ 1/16W J		R1473	NRSA63J-101X	MG RESISTOR	100Ω 1/16W J	
R1061	NRSA63J-223X	MG RESISTOR	22kΩ 1/16W J		R1474	NRSA63J-101X	MG RESISTOR	100Ω 1/16W J	
R1065	NRSA63J-121X	MG RESISTOR	120Ω 1/16W J		R1475	NRSA63J-101X	MG RESISTOR	100Ω 1/16W J	
R1066	NRSA63J-101X	MG RESISTOR	100Ω 1/16W J		R1476	NRSA63J-101X	MG RESISTOR	100Ω 1/16W J	
R1067	NRSA63J-121X	MG RESISTOR	120Ω 1/16W J		R1477	NRSA63J-101X	MG RESISTOR	100Ω 1/16W J	
R1068	NRSA63D-222X	MG RESISTOR	2.2kΩ 1/16W D		R1478	NRSA63J-101X	MG RESISTOR	100Ω 1/16W J	
R1069	NRSA63D-222X	MG RESISTOR	2.2kΩ 1/16W D		R1479	NRSA63J-101X	MG RESISTOR	100Ω 1/16W J	
R1070	NRSA63D-122X	MG RESISTOR	1.2kΩ 1/16W D		R1480	NRSA63J-0R0X	MG RESISTOR	0Ω 1/16W J	
R1071	NRSA63D-152X	MG RESISTOR	1.5kΩ 1/16W D		R1481	NRSA63J-0R0X	MG RESISTOR	0Ω 1/16W J	
R1072	NRSA63J-0R0X	MG RESISTOR	0Ω 1/16W J		R1482	NRSA63J-0R0X	MG RESISTOR	0Ω 1/16W J	
R1216	NRSA63J-101X	MG RESISTOR	100Ω 1/16W J		R1491	NRSA63J-102X	MG RESISTOR	1kΩ 1/16W J	
R1217	NRSA63J-101X	MG RESISTOR	100Ω 1/16W J		R1493	NRSA63J-0R0X	MG RESISTOR	0Ω 1/16W J	
R1218	NRSA63J-101X	MG RESISTOR	100Ω 1/16W J		R1496	NRSA63J-103X	MG RESISTOR	10kΩ 1/16W J	
R1219	NRSA63J-101X	MG RESISTOR	100Ω 1/16W J		R1497	NRSA63J-103X	MG RESISTOR	10kΩ 1/16W J	
R1220	NRSA63J-101X	MG RESISTOR	100Ω 1/16W J		R1498	NRSA63J-103X	MG RESISTOR	10kΩ 1/16W J	
R1221	NRSA63J-101X	MG RESISTOR	100Ω 1/16W J		R1601	NRSA63J-100X	MG RESISTOR	10Ω 1/16W J	
R1222	NRSA63J-0R0X	MG RESISTOR	0Ω 1/16W J		R1602	NRSA63J-100X	MG RESISTOR	10Ω 1/16W J	
R1223	NRSA63J-472X	MG RESISTOR	4.7kΩ 1/16W J		R1603	NRSA63J-100X	MG RESISTOR	10Ω 1/16W J	
R1224	NRSA63J-472X	MG RESISTOR	4.7kΩ 1/16W J		R1604	NRSA63J-100X	MG RESISTOR	10Ω 1/16W J	
R1225	NRSA63J-103X	MG RESISTOR	10kΩ 1/16W J		R1605	NRSA63J-470X	MG RESISTOR	47Ω 1/16W J	
R1226	NRSA63J-472X	MG RESISTOR	4.7kΩ 1/16W J		R1606	NRSA63J-470X	MG RESISTOR	47Ω 1/16W J	
R1227	NRSA63J-101X	MG RESISTOR	100Ω 1/16W J		R1607	NRSA63J-470X	MG RESISTOR	47Ω 1/16W J	
R1228	NRSA63J-101X	MG RESISTOR	100Ω 1/16W J		R1608	NRSA63J-470X	MG RESISTOR	47Ω 1/16W J	
R1229	NRSA63J-472X	MG RESISTOR	4.7kΩ 1/16W J		R1613	NRSA63J-0R0X	MG RESISTOR	0Ω 1/16W J	
					R1614	NRSA63J-0R0X	MG RESISTOR	0Ω 1/16W J	

△ Symbol No.	Part No.	Part Name	Description	Local	△ Symbol No.	Part No.	Part Name	Description	Local
R1615	NRSA63J-0R0X	MG RESISTOR	0Ω 1/16W J		RA1403	NRZ0040-101X	NET RESISTOR	100Ω 1/16W J x4	
R1616	NRSA63J-0R0X	MG RESISTOR	0Ω 1/16W J		RA1404	NRZ0040-101X	NET RESISTOR	100Ω 1/16W J x4	
R1617	NRSA63J-270X	MG RESISTOR	27Ω 1/16W J		RA1405	NRZ0034-101W	NET RESISTOR	100Ω 1/32W J	
R1618	NRSA63J-270X	MG RESISTOR	27Ω 1/16W J		RA1406	NRZ0034-101W	NET RESISTOR	100Ω 1/32W J	
R1619	NRSA63J-101X	MG RESISTOR	100Ω 1/16W J		RA1407	NRZ0034-101W	NET RESISTOR	100Ω 1/32W J	
R1620	NRSA63J-101X	MG RESISTOR	100Ω 1/16W J		RA1408	NRZ0034-101W	NET RESISTOR	100Ω 1/32W J	
R1621	NRSA63J-270X	MG RESISTOR	27Ω 1/16W J		RA1409	NRZ0034-101W	NET RESISTOR	100Ω 1/32W J	
R1622	NRSA63J-270X	MG RESISTOR	27Ω 1/16W J		RA1410	NRZ0034-101W	NET RESISTOR	100Ω 1/32W J	
R1623	NRSA63J-270X	MG RESISTOR	27Ω 1/16W J		RA1411	NRZ0034-101W	NET RESISTOR	100Ω 1/32W J	
R1624	NRSA63J-270X	MG RESISTOR	27Ω 1/16W J		RA1601	NRZ0040-101X	NET RESISTOR	100Ω 1/16W J x4	
R1625	NRSA63J-101X	MG RESISTOR	100Ω 1/16W J		RA1602	NRZ0040-101X	NET RESISTOR	100Ω 1/16W J x4	
R1626	NRSA63J-101X	MG RESISTOR	100Ω 1/16W J		RA1603	NRZ0040-101X	NET RESISTOR	100Ω 1/16W J x4	
R1627	NRSA63J-270X	MG RESISTOR	27Ω 1/16W J		RA1604	NRZ0040-101X	NET RESISTOR	100Ω 1/16W J x4	
R1628	NRSA63J-270X	MG RESISTOR	27Ω 1/16W J		RA1605	NRZ0040-101X	NET RESISTOR	100Ω 1/16W J x4	
R1642	NRSA63J-100X	MG RESISTOR	10Ω 1/16W J		RA1606	NRZ0040-101X	NET RESISTOR	100Ω 1/16W J x4	
R1644	NRSA63J-470X	MG RESISTOR	47Ω 1/16W J		RA1607	NRZ0040-101X	NET RESISTOR	100Ω 1/16W J x4	
R1649	NRSA63J-101X	MG RESISTOR	100Ω 1/16W J		RA1608	NRZ0040-101X	NET RESISTOR	100Ω 1/16W J x4	
R1650	NRSA63J-101X	MG RESISTOR	100Ω 1/16W J		RA1609	NRZ0040-220X	NET RESISTOR	22Ω 1/16W J x4	
R1651	NRSA63J-101X	MG RESISTOR	100Ω 1/16W J		RA1610	NRZ0040-220X	NET RESISTOR	22Ω 1/16W J x4	
R1652	NRSA63J-101X	MG RESISTOR	100Ω 1/16W J		RA1611	NRZ0040-220X	NET RESISTOR	22Ω 1/16W J x4	
R1653	NRSA63J-0R0X	MG RESISTOR	0Ω 1/16W J		RA1612	NRZ0040-220X	NET RESISTOR	22Ω 1/16W J x4	
R1654	NRSA63J-0R0X	MG RESISTOR	0Ω 1/16W J		RA1613	NRZ0040-220X	NET RESISTOR	22Ω 1/16W J x4	
R1655	NRSA63J-0R0X	MG RESISTOR	0Ω 1/16W J		RA1614	NRZ0040-220X	NET RESISTOR	22Ω 1/16W J x4	
R1656	NRSA63J-0R0X	MG RESISTOR	0Ω 1/16W J		RA1615	NRZ0040-220X	NET RESISTOR	22Ω 1/16W J x4	
R1657	NRSA63J-220X	MG RESISTOR	22Ω 1/16W J		RA1616	NRZ0040-220X	NET RESISTOR	22Ω 1/16W J x4	
R1658	NRSA63J-220X	MG RESISTOR	22Ω 1/16W J		RA1617	NRZ0040-101X	NET RESISTOR	100Ω 1/16W J x4	
R1659	NRSA63J-220X	MG RESISTOR	22Ω 1/16W J		RA1618	NRZ0040-101X	NET RESISTOR	100Ω 1/16W J x4	
R1660	NRSA63J-220X	MG RESISTOR	22Ω 1/16W J		RA1619	NRZ0040-101X	NET RESISTOR	100Ω 1/16W J x4	
R1701	NRSA63J-271X	MG RESISTOR	270Ω 1/16W J		RA1620	NRZ0040-101X	NET RESISTOR	100Ω 1/16W J x4	
R1702	NRSA63J-102X	MG RESISTOR	1kΩ 1/16W J		RA1621	NRZ0040-101X	NET RESISTOR	100Ω 1/16W J x4	
R1703	NRSA63D-222X	MG RESISTOR	2.2kΩ 1/16W D		RA1622	NRZ0040-101X	NET RESISTOR	100Ω 1/16W J x4	
R1704	NRSA63D-222X	MG RESISTOR	2.2kΩ 1/16W D		RA1623	NRZ0040-101X	NET RESISTOR	100Ω 1/16W J x4	
R1801	NRSA63J-0R0X	MG RESISTOR	0Ω 1/16W J		RA1624	NRZ0040-101X	NET RESISTOR	100Ω 1/16W J x4	
R1802	NRSA63J-0R0X	MG RESISTOR	0Ω 1/16W J		RA1625	NRZ0040-100X	NET RESISTOR	10Ω 1/16W J x4	
R1803	NRSA63J-103X	MG RESISTOR	10kΩ 1/16W J		RA1626	NRZ0040-100X	NET RESISTOR	10Ω 1/16W J x4	
R1804	NRSA63J-103X	MG RESISTOR	10kΩ 1/16W J		RA1627	NRZ0040-100X	NET RESISTOR	10Ω 1/16W J x4	
R1805	NRSA63J-0R0X	MG RESISTOR	0Ω 1/16W J		RA1628	NRZ0040-100X	NET RESISTOR	10Ω 1/16W J x4	
R1807	NRSA63J-103X	MG RESISTOR	10kΩ 1/16W J		RA1629	NRZ0040-470X	NET RESISTOR	47Ω 1/16W J x4	
R1809	NRSA63J-103X	MG RESISTOR	10kΩ 1/16W J		RA1630	NRZ0040-470X	NET RESISTOR	47Ω 1/16W J x4	
R1810	NRSA63J-394X	MG RESISTOR	390kΩ 1/16W J		RA1631	NRZ0040-470X	NET RESISTOR	47Ω 1/16W J x4	
R1812	NRSA63J-0R0X	MG RESISTOR	0Ω 1/16W J		RA1632	NRZ0040-470X	NET RESISTOR	47Ω 1/16W J x4	
R1813	NRSA63J-560X	MG RESISTOR	56Ω 1/16W J		RA1801	NRZ0034-103W	NET RESISTOR	10kΩ 1/32W J	
R1814	NRSA63J-560X	MG RESISTOR	56Ω 1/16W J		RA1802	NRZ0034-103W	NET RESISTOR	10kΩ 1/32W J	
R1815	NRSA63J-560X	MG RESISTOR	56Ω 1/16W J		RA2201	NRZ0040-0R0X	NET RESISTOR	0Ω 1/16W J x4	
R1816	NRSA63J-560X	MG RESISTOR	56Ω 1/16W J		RA2202	NRZ0040-0R0X	NET RESISTOR	0Ω 1/16W J x4	
R1817	NRSA63J-512X	MG RESISTOR	5.1kΩ 1/16W J		RA2203	NRZ0040-0R0X	NET RESISTOR	0Ω 1/16W J x4	
R1818	NRSA63D-562X	MG RESISTOR	5.6kΩ 1/16W D		RA2204	NRZ0040-0R0X	NET RESISTOR	0Ω 1/16W J x4	
R1819	NRSA63D-751X	MG RESISTOR	750Ω 1/16W D		RA2205	NRZ0040-0R0X	NET RESISTOR	0Ω 1/16W J x4	
R1820	NRSA63J-103X	MG RESISTOR	10kΩ 1/16W J		RA2206	NRZ0040-0R0X	NET RESISTOR	0Ω 1/16W J x4	
R1821	NRSA63J-102X	MG RESISTOR	1kΩ 1/16W J		RA2207	NRZ0040-0R0X	NET RESISTOR	0Ω 1/16W J x4	
R1822	NRSA63J-0R0X	MG RESISTOR	0Ω 1/16W J		RA2208	NRZ0040-330X	NET RESISTOR	33Ω 1/16W J x4	
R2201	NRSA63J-103X	MG RESISTOR	10kΩ 1/16W J		RA2209	NRZ0040-330X	NET RESISTOR	33Ω 1/16W J x4	
R2202	NRSA63J-562X	MG RESISTOR	5.6kΩ 1/16W J		RA2210	NRZ0040-330X	NET RESISTOR	33Ω 1/16W J x4	
R2203	NRSA63J-472X	MG RESISTOR	4.7kΩ 1/16W J		RA2211	NRZ0040-330X	NET RESISTOR	33Ω 1/16W J x4	
R2204	NRSA63J-330X	MG RESISTOR	33Ω 1/16W J		L1004	NQL144K-100X	P COIL	0.30Ω 10uH K	
R2205	NRSA63J-820X	MG RESISTOR	82Ω 1/16W J		L1801	NQL144K-100X	P COIL	0.30Ω 10uH K	
R2206	NRSA63J-220X	MG RESISTOR	22Ω 1/16W J		T1801	NQR0444-001X	CHOKE COIL		
R2207	NRSA63J-220X	MG RESISTOR	22Ω 1/16W J		B1001	NRSA02J-0R0X	MG RESISTOR	0Ω 1/10W J	
R2208	NRSA63J-820X	MG RESISTOR	82Ω 1/16W J		B1007	NRSA02J-0R0X	MG RESISTOR	0Ω 1/10W J	
R2209	NRSA63J-220X	MG RESISTOR	22Ω 1/16W J		B1008	NRSA02J-0R0X	MG RESISTOR	0Ω 1/10W J	
R2210	NRSA63J-820X	MG RESISTOR	82Ω 1/16W J		B1204	NRSA63J-0R0X	MG RESISTOR	0Ω 1/16W J	
R2211	NRSA63J-330X	MG RESISTOR	33Ω 1/16W J		B1208	NRSA63J-0R0X	MG RESISTOR	0Ω 1/16W J	
R2212	NRSA63J-330X	MG RESISTOR	33Ω 1/16W J		B1802	NRSA02J-0R0X	MG RESISTOR	0Ω 1/10W J	
R2213	NRSA63J-330X	MG RESISTOR	33Ω 1/16W J		CN1001	QGB2027L6-28X	CONNECTOR	B-B (1-28)	
R2214	NRSA63J-330X	MG RESISTOR	33Ω 1/16W J		CN1002	QGB2027L6-28X	CONNECTOR	B-B (1-28)	
R2215	NRSA63J-330X	MG RESISTOR	33Ω 1/16W J		CN1402	QGA2001C2-04V	CONNECTOR	W-B (1-4)	
RA1001	NRZ0040-0R0X	NET RESISTOR	0Ω 1/16W J x4		CN1403	QGF1016C2-04W	CONNECTOR	FFC/FPC (1-4)	
RA1002	NRZ0040-0R0X	NET RESISTOR	0Ω 1/16W J x4		CN1801	QGB2027L1-10X	CONNECTOR	B-B (1-10)	
RA1003	NRZ0034-103W	NET RESISTOR	10kΩ 1/32W J		CN2201	QGF0539C1-40W	CONNECTOR	FFC/FPC (1-40)	
RA1004	NRZ0034-103W	NET RESISTOR	10kΩ 1/32W J		K1001	NRSA02J-0R0X	MG RESISTOR	0Ω 1/10W J	
RA1005	NRZ0034-103W	NET RESISTOR	10kΩ 1/32W J		K1002	NRSA63J-0R0X	MG RESISTOR	0Ω 1/16W J	
RA1006	NRZ0034-103W	NET RESISTOR	10kΩ 1/32W J		K1003	NQR0129-002X	FERRITE BEADS		
RA1201	NRZ0034-103W	NET RESISTOR	10kΩ 1/32W J		K1004	NRSA63J-0R0X	MG RESISTOR	0Ω 1/16W J	
RA1202	NRZ0034-103W	NET RESISTOR	10kΩ 1/32W J		K1005	NQR0129-002X	FERRITE BEADS		
RA1203	NRZ0034-103W	NET RESISTOR	10kΩ 1/32W J		K1006	NRSA63J-0R0X	MG RESISTOR	0Ω 1/16W J	
RA1204	NRZ0034-103W	NET RESISTOR	10kΩ 1/32W J		K1007	NRSA63J-0R0X	MG RESISTOR	0Ω 1/16W J	
RA1401	NRZ0040-101X	NET RESISTOR	100Ω 1/16W J x4						
RA1402	NRZ0040-101X	NET RESISTOR	100Ω 1/16W J x4						

△ Symbol No.	Part No.	Part Name	Description	Local
K1008	NRSA63J-0R0X	MG RESISTOR	0Ω 1/16W J	
K1009	NRSA63J-0R0X	MG RESISTOR	0Ω 1/16W J	
K1010	NQR0129-002X	FERRITE BEADS		
K1011	NQR0129-002X	FERRITE BEADS		
K1012	NQR0129-002X	FERRITE BEADS		
K1013	NQR0129-002X	FERRITE BEADS		
K1014	NQR0129-002X	FERRITE BEADS		
K1015	NQR0129-002X	FERRITE BEADS		
K1016	NQR0129-002X	FERRITE BEADS		
K1017	NQR0129-002X	FERRITE BEADS		
K1018	NQR0129-002X	FERRITE BEADS		
K1019	NRSA02J-0R0X	MG RESISTOR	0Ω 1/10W J	
K1020	NQR0129-002X	FERRITE BEADS		
K1201	NRSA63J-0R0X	MG RESISTOR	0Ω 1/16W J	
K1401	NRSA02J-0R0X	MG RESISTOR	0Ω 1/10W J	
K1402	NRSA02J-0R0X	MG RESISTOR	0Ω 1/10W J	
K1403	NRSA02J-0R0X	MG RESISTOR	0Ω 1/10W J	
K1404	NQR0339-001X	FERRITE BEADS		
K1406	NQR0339-001X	FERRITE BEADS		
K1407	NRSA02J-0R0X	MG RESISTOR	0Ω 1/10W J	
K1408	NRSA02J-0R0X	MG RESISTOR	0Ω 1/10W J	
K1701	NRSA02J-0R0X	MG RESISTOR	0Ω 1/10W J	
K1702	NRSA02J-0R0X	MG RESISTOR	0Ω 1/10W J	
K1801	NRSA02J-0R0X	MG RESISTOR	0Ω 1/10W J	
K2201	NQR0129-002X	FERRITE BEADS		
K2202	NQR0129-002X	FERRITE BEADS		
K2203	NQR0129-002X	FERRITE BEADS		
K2204	NQR0129-002X	FERRITE BEADS		
K2205	NQR0129-002X	FERRITE BEADS		
K2206	NQR0129-002X	FERRITE BEADS		
K2207	NQR0129-002X	FERRITE BEADS		
K2208	NQR0129-002X	FERRITE BEADS		
K2209	NQR0129-002X	FERRITE BEADS		
K2210	NQR0129-002X	FERRITE BEADS		
K2211	NQR0129-002X	FERRITE BEADS		
K2212	NQR0129-002X	FERRITE BEADS		
K2213	NQR0129-002X	FERRITE BEADS		
K2214	NQR0129-002X	FERRITE BEADS		
K2215	NQR0129-002X	FERRITE BEADS		
K2216	NQR0129-002X	FERRITE BEADS		
K2217	NQR0129-002X	FERRITE BEADS		
K2218	NQR0129-002X	FERRITE BEADS		
K2219	NQR0129-002X	FERRITE BEADS		
K2220	NQR0129-002X	FERRITE BEADS		
K2221	NQR0129-002X	FERRITE BEADS		
LC1401	NQR0415-002X	EMI FILTER	1uF 16V Z	
LC1402	NQR0415-002X	EMI FILTER	1uF 16V Z	
LC1403	NQR0415-002X	EMI FILTER	1uF 16V Z	
OT1	LC41656-001A	COOLING SHEET		
SD1	LP21258-001A	SHIELD CASE		
X1401	NAX0580-001X	CXO	27.0000MHZ	
X1801	NAX0666-001X	CRYSTAL	24.576000MHZ	

△ Symbol No.	Part No.	Part Name	Description	Local
IC6701	MSP3417GQB8V3X	IC		
IC6701	or MSP3417G-X	IC		
IC7301	MM1623XF-X	IC		
IC7302	MM1508XN-X	IC		
IC7303	TC74HC4053AF-X	IC		
IC7303	or CD74HC4053NS-X	IC		
IC7304	MM1501XN-X	IC		
IC8001	AK5365VQ	IC		
IC8201	AK4385VT-X	IC		
IC8201	or AK4381VT-X	IC		
IC8202	BA15218F-XE	IC		
IC8301	LA7151M-X	IC		
IC8302	LA7151M-X	IC		
IC8303	BA15218F-XE	IC		
IC8501	SN74LV08APW-X	IC		
Q3004	2SC2412K/QRS/-X	TRANSISTOR		
Q3004	or 2SD601A/QRS/-X	TRANSISTOR		
Q3004	or 2SC3928A/QRS/-X	TRANSISTOR		
Q3007	UN221E-X	TRANSISTOR		
Q3007	or DTC144WKA-X	DIGI TRANSISTOR		
Q3007	or RT1N44HC-X	DIGI TRANSISTOR		
Q3009	UN221E-X	TRANSISTOR		
Q3009	or DTC144WKA-X	DIGI TRANSISTOR		
Q3009	or RT1N44HC-X	DIGI TRANSISTOR		
Q3010	UN221E-X	TRANSISTOR		
Q3010	or DTC144WKA-X	DIGI TRANSISTOR		
Q3010	or RT1N44HC-X	DIGI TRANSISTOR		
Q3901	UN221E-X	TRANSISTOR		
Q3901	or DTC144WKA-X	DIGI TRANSISTOR		
Q3901	or RT1N44HC-X	DIGI TRANSISTOR		
Q4001	2SB709A/QR/-X	TRANSISTOR		
Q4001	or 2SA1037AK/QR/-X	TRANSISTOR		
Q4001	or 2SA1530A/QR/-X	SI TRANSISTOR		
Q4003	2SD601A/QRS/-X	TRANSISTOR		
Q4003	or 2SC2412K/QRS/-X	TRANSISTOR		
Q4003	or 2SC3928A/QRS/-X	TRANSISTOR		
Q4006	2SC2412K/QRS/-X	TRANSISTOR		
Q4006	or 2SC3928A/QRS/-X	TRANSISTOR		
Q4101	2SD2144S/UV/-T	TRANSISTOR		
Q4101	or 2SC3576-JVC-T	TRANSISTOR		
Q4301	2SD601A/QRS/-X	TRANSISTOR		M10SEF
Q4301	or 2SC2412K/QRS/-X	TRANSISTOR		M10SEF
Q4301	or 2SC3928A/QRS/-X	TRANSISTOR		M10SEF
Q4302	2SB709A/QR/-X	TRANSISTOR		M10SEF
Q4302	or 2SA1037AK/QR/-X	TRANSISTOR		M10SEF
Q4302	or 2SA1530A/QR/-X	SI TRANSISTOR		M10SEF
Q4303	2SB709A/QR/-X	TRANSISTOR		M10SEF
Q4303	or 2SA1037AK/QR/-X	TRANSISTOR		M10SEF
Q4303	or 2SA1530A/QR/-X	SI TRANSISTOR		M10SEF
Q6030	2SA1037AK/QR/-X	TRANSISTOR		
Q6030	or 2SB709A/QR/-X	TRANSISTOR		
Q6030	or 2SA1530A/QR/-X	SI TRANSISTOR		
Q6031	UN2211-X	TRANSISTOR		
Q6031	or DTC114EKA-X	TRANSISTOR		
Q7201	2SC1317/RS/-T	TRANSISTOR		
Q7301	2SD601A/QRS/-X	TRANSISTOR		
Q7301	or 2SC2412K/QRS/-X	TRANSISTOR		
Q7301	or 2SC3928A/QRS/-X	TRANSISTOR		
Q7302	2SD601A/QRS/-X	TRANSISTOR		
Q7302	or 2SC2412K/QRS/-X	TRANSISTOR		
Q7302	or 2SC3928A/QRS/-X	TRANSISTOR		
Q7310	2SB709A/QR/-X	TRANSISTOR		
Q7310	or 2SA1037AK/QR/-X	TRANSISTOR		
Q7310	or 2SA1530A/QR/-X	SI TRANSISTOR		
Q7311	2SB709A/QR/-X	TRANSISTOR		
Q7311	or 2SA1037AK/QR/-X	TRANSISTOR		
Q7311	or 2SA1530A/QR/-X	SI TRANSISTOR		
Q7312	UN221E-X	TRANSISTOR		
Q7312	or DTC144WKA-X	DIGI TRANSISTOR		
Q7312	or RT1N44HC-X	DIGI TRANSISTOR		
Q7313	UN221E-X	TRANSISTOR		
Q7313	or DTC144WKA-X	DIGI TRANSISTOR		
Q7313	or RT1N44HC-X	DIGI TRANSISTOR		
Q7314	UN221E-X	TRANSISTOR		
Q7314	or DTC144WKA-X	DIGI TRANSISTOR		
Q7314	or RT1N44HC-X	DIGI TRANSISTOR		
Q7315	DTC114TKA-X	TRANSISTOR		

Main board

Block No. [0][3]

△ Symbol No.	Part No.	Part Name	Description	Local
PW1	LPA10239-01C1	MAIN BOARD ASSY		M10SEF
PW1	LPA10239-02C1	MAIN BOARD ASSY		M10SEK
PW1	LPA10239-03C1	MAIN BOARD ASSY		M10BE,M10SE,M10SER
IC3001	HD6432194SXD77F	IC(MCU)		
IC3001	or HD64F2194FD77	IC(MCU)		
IC3001	or HD64F2194CFD77	IC(MCU)		
IC3002	IC-PST3427U-X	IC		
IC3004	LPN0867-003B-33	IC(EEPROM)		M10SEF
IC3004	LPN0867-001B-32	IC(EEPROM)		M10SEK
IC3004	LPN0867-002A-31	IC(EEPROM)		M10BE,M10SE,M10SER
IC4001	JCP8038-I	IC		
IC4001	or JCP8038	IC		
IC4201	LC74793	IC		
IC4301	LA7357M-W	IC		M10SEF
IC4304	74HC4538D-X	IC		M10SEF

△ Symbol No.	Part No.	Part Name	Description	Local	△ Symbol No.	Part No.	Part Name	Description	Local
Q7315	or RT1N140C-X	DIGI TRANSISTOR			C3051	NCB31HK-272X	C CAPACITOR	2700pF 50V K	
Q7315	or UN2215-X	TRANSISTOR			C3054	NCB31EK-103X	C CAPACITOR	0.01uF 25V K	
Q7316	2SB709A/QR/-X	TRANSISTOR			C4001	QEKJ0JM-476Z	E CAPACITOR	47uF 6.3V M	
Q7316	or 2SA1037AK/QR/-X	TRANSISTOR			C4002	NCB31CK-104X	C CAPACITOR	0.1uF 16V K	
Q7316	or 2SA1530A/QR/-X	SI TRANSISTOR			C4003	NCF31AZ-105X	C CAPACITOR	1uF 10V Z	
Q7317	2SB709A/QR/-X	TRANSISTOR			C4005	NCB31EK-103X	C CAPACITOR	0.01uF 25V K	
Q7317	or 2SA1037AK/QR/-X	TRANSISTOR			C4006	NCB31EK-103X	C CAPACITOR	0.01uF 25V K	
Q7317	or 2SA1530A/QR/-X	SI TRANSISTOR			C4008	NCF31AZ-105X	C CAPACITOR	1uF 10V Z	
Q8201	UN221E-X	TRANSTSTOR			C4010	NCB31EK-103X	C CAPACITOR	0.01uF 25V K	
Q8201	or DTC144WKA-X	DIGI TRANSISTOR			C4012	NCB31EK-103X	C CAPACITOR	0.01uF 25V K	
Q8201	or RT1N44HC-X	DIGI TRANSISTOR			C4013	NCF31AZ-105X	C CAPACITOR	1uF 10V Z	
Q8202	UN211E-X	DIGI TRANSISTOR			C4015	NCB31EK-103X	C CAPACITOR	0.01uF 25V K	
Q8202	or DTA144WKA-X	TRANSISTOR			C4016	NCB31EK-103X	C CAPACITOR	0.01uF 25V K	
Q8202	or RT1P44HC-X	DIGI TRANSISTOR			C4018	NCF31AZ-105X	C CAPACITOR	1uF 10V Z	
Q8203	2SC2412K/QRS/-X	TRANSISTOR			C4019	NCF31AZ-105X	C CAPACITOR	1uF 10V Z	
Q8203	or 2SD601A/QRS/-X	TRANSISTOR			C4021	NCB31EK-103X	C CAPACITOR	0.01uF 25V K	
Q8203	or 2SC3928A/QRS/-X	TRANSISTOR			C4022	NCB31EK-103X	C CAPACITOR	0.01uF 25V K	
Q8205	2SC2412K/QRS/-X	TRANSISTOR			C4023	NCB31EK-103X	C CAPACITOR	0.01uF 25V K	
Q8205	or 2SD601A/QRS/-X	TRANSISTOR			C4024	NCB31EK-103X	C CAPACITOR	0.01uF 25V K	
Q8205	or 2SC3928A/QRS/-X	TRANSISTOR			C4025	NCB31EK-103X	C CAPACITOR	0.01uF 25V K	
Q8301	2SC2412K/QRS/-X	TRANSISTOR			C4026	NCB31EK-103X	C CAPACITOR	0.01uF 25V K	
Q8301	or 2SD601A/QRS/-X	TRANSISTOR			C4027	NCB31EK-103X	C CAPACITOR	0.01uF 25V K	
Q8301	or 2SC3928A/QRS/-X	TRANSISTOR			C4028	QEKJ1EM-106Z	E CAPACITOR	10uF 25V M	
Q8302	2SC2412K/QRS/-X	TRANSISTOR			C4029	QEKJ0JM-476Z	E CAPACITOR	47uF 6.3V M	
Q8302	or 2SD601A/QRS/-X	TRANSISTOR			C4030	NCB31EK-103X	C CAPACITOR	0.01uF 25V K	
Q8302	or 2SC3928A/QRS/-X	TRANSISTOR			C4033	NCB31EK-103X	C CAPACITOR	0.01uF 25V K	
Q8303	2SC2412K/QRS/-X	TRANSISTOR			C4034	QEKJ1HM-475Z	E CAPACITOR	4.7uF 50V M	
Q8303	or 2SD601A/QRS/-X	TRANSISTOR			C4035	NCB31EK-103X	C CAPACITOR	0.01uF 25V K	
Q8303	or 2SC3928A/QRS/-X	TRANSISTOR			C4036	NCB31EK-103X	C CAPACITOR	0.01uF 25V K	
Q8304	2SC2412K/QRS/-X	TRANSISTOR			C4037	NCB31EK-103X	C CAPACITOR	0.01uF 25V K	
Q8304	or 2SD601A/QRS/-X	TRANSISTOR			C4039	NCB31EK-103X	C CAPACITOR	0.01uF 25V K	
Q8304	or 2SC3928A/QRS/-X	TRANSISTOR			C4040	NCB31EK-103X	C CAPACITOR	0.01uF 25V K	
					C4041	NCB31EK-103X	C CAPACITOR	0.01uF 25V K	
D3002	1SS133-T2	DIODE			C4043	NCB31EK-104X	C CAPACITOR	0.1uF 25V K	
D3002	or 1SS270A-T2	SI DIODE			C4045	QEKJ1HM-225Z	E CAPACITOR	2.2uF 50V M	
D3003	RD39ES/B3-T2	Z DIODE			C4046	NCB31EK-103X	C CAPACITOR	0.01uF 25V K	
D3003	or MTZJ39C-T2	Z DIODE			C4047	NCB31EK-103X	C CAPACITOR	0.01uF 25V K	
D3004	10EDB20-T2	SI DIODE			C4049	NDC31HJ-100X	C CAPACITOR	10pF 50V J	
D3004	or 1A3G-T2	SI DIODE			C4050	NDC31HJ-820X	C CAPACITOR	82pF 50V J	
D3005	10EDB20-T2	SI DIODE			C4055	NCB31EK-104X	C CAPACITOR	0.1uF 25V K	
D3005	or 1A3G-T2	SI DIODE			C4056	NCB31EK-103X	C CAPACITOR	0.01uF 25V K	
D3007	1SS355-X	SI DIODE			C4065	QEKJ0JM-476Z	E CAPACITOR	47uF 6.3V M	
D3007	or MA111-X	SI DIODE			C4067	NDC31HJ-151X	C CAPACITOR	150pF 50V J	
D3008	1SS355-X	SI DIODE			C4068	NCB31HK-102X	C CAPACITOR	1000pF 50V K	
D3008	or MA111-X	SI DIODE			C4069	NDC31HJ-821X	C CAPACITOR	820pF 50V J	
D4001	DA204U-X	SI DIODE			C4071	NCB31CK-104X	C CAPACITOR	0.1uF 16V K	
D4002	DA204U-X	SI DIODE			C4072	QEKJ0JM-107Z	E CAPACITOR	100uF 6.3V M	
D4301	1SS133-T2	DIODE		M10SEF	C4081	NCB31HK-102X	C CAPACITOR	1000pF 50V K	
D6002	HZ30-2LT	Z DIODE			C4109	QEKJ0JM-476Z	E CAPACITOR	47uF 6.3V M	
D6002	or HZ30-2LTD	Z DIODE			C4110	QEKJ0JM-107Z	E CAPACITOR	100uF 6.3V M	
D6701	1SS133-T2	DIODE			C4201	QEKJ0JM-227Z	E CAPACITOR	220uF 6.3V M	
D6701	or 1SS270A-T2	SI DIODE			C4202	NCB31CK-104X	C CAPACITOR	0.1uF 16V K	
D7304	1SS133-T2	DIODE			C4203	NCB30JK-105X	C CAPACITOR	1uF 6.3V K	
D8001	1SS355-X	SI DIODE			C4204	NCB30JK-105X	C CAPACITOR	1uF 6.3V K	
D8001	or MA111-X	SI DIODE			C4207	NCB31CK-563X	C CAPACITOR	0.056uF 16V K	
D8202	1SS355-X	SI DIODE			C4208	QEKJ1HM-475Z	E CAPACITOR	4.7uF 50V M	
					C4209	NCB31AK-224X	C CAPACITOR	0.22uF 10V K	
C3007	NCB30JK-105X	C CAPACITOR	1uF 6.3V K		C4210	QEKJ0JM-227Z	E CAPACITOR	220uF 6.3V M	
C3010	QE20244-229	EDL CAPACITOR	0.022F 5.5V Z		C4211	NCB31EK-103X	C CAPACITOR	0.01uF 25V K	
C3014	QEKJ0JM-476Z	E CAPACITOR	47uF 6.3V M		C4301	NCB31EK-103X	C CAPACITOR	0.01uF 25V K	M10SEF
C3015	NCB31CK-104X	C CAPACITOR	0.1uF 16V K		C4302	QEKJ1CM-476Z	E CAPACITOR	47uF 16V M	M10SEF
C3016	NCB31CK-104X	C CAPACITOR	0.1uF 16V K		C4304	NCB31EK-103X	C CAPACITOR	0.01uF 25V K	M10SEF
C3022	NCB31CK-104X	C CAPACITOR	0.1uF 16V K		C4305	NCB31EK-103X	C CAPACITOR	0.01uF 25V K	M10SEF
C3024	NDC31HJ-120X	C CAPACITOR	12pF 50V J	M10SEF,M10SEK	C4306	NCB31EK-103X	C CAPACITOR	0.01uF 25V K	M10SEF
C3024	NDC31HJ-220X	C CAPACITOR	22pF 50V J	M10BE,M10SE,M10SER	C4307	NCB31EK-103X	C CAPACITOR	0.01uF 25V K	M10SEF
C3025	QAT3725-300Z	TRIM CAPACITOR	30pF TIMER CLOCK	M10BE,M10SE,M10SER	C4308	NCB31EK-103X	C CAPACITOR	0.01uF 25V K	M10SEF
C3027	QERF1CM-106Z	E CAPACITOR	10uF 16V M		C4309	NCB31EK-103X	C CAPACITOR	0.01uF 25V K	M10SEF
C3030	QEKJ0JM-476Z	E CAPACITOR	47uF 6.3V M		C4310	NDC31HJ-471X	C CAPACITOR	470pF 50V J	M10SEF
C3031	NCB31CK-104X	C CAPACITOR	0.1uF 16V K		C4318	NCB31CK-104X	C CAPACITOR	0.1uF 16V K	M10SEF
C3032	NCB31CK-104X	C CAPACITOR	0.1uF 16V K		C4319	NDC31HJ-471X	C CAPACITOR	470pF 50V J	M10SEF
C3033	NCB31CK-104X	C CAPACITOR	0.1uF 16V K		C6006	NCB21HK-103X	C CAPACITOR	0.01uF 50V K	M10BE,M10SE, M10SEK,M10SER
C3036	NDC31HJ-180X	C CAPACITOR	18pF 50V J		C6007	QEKJ0JM-337Z	E CAPACITOR	330uF 6.3V M	
C3037	NDC31HJ-120X	C CAPACITOR	12pF 50V J		C6014	NCB21HK-103X	C CAPACITOR	0.01uF 50V K	
C3038	QEKJ0JM-476Z	E CAPACITOR	47uF 6.3V M		C6037	QEKJ1EM-106Z	E CAPACITOR	10uF 25V M	M10SEF
C3039	NCB31EK-103X	C CAPACITOR	0.01uF 25V K		C6701	NCB21HK-102X	C CAPACITOR	1000pF 50V K	
C3041	NDC31HJ-180X	C CAPACITOR	18pF 50V J	M10SEF,M10SEK	C6707	NDC21HJ-470X	C CAPACITOR	47pF 50V J	
C3042	QETN0JM-477Z	E CAPACITOR	470uF 6.3V M		C6708	NDC21HJ-8R0X	C CAPACITOR	8pF 50V J	
C3050	NCB31CK-104X	C CAPACITOR	0.1uF 16V K						

△ Symbol No.	Part No.	Part Name	Description	Local	△ Symbol No.	Part No.	Part Name	Description	Local
C6709	NDC21HJ-8R0X	C CAPACITOR	8pF 50V J		C8208	NDC31HJ-471X	C CAPACITOR	470pF 50V J	
C6713	NCF21CZ-224X	C CAPACITOR	0.22uF 16V Z		C8209	NCB31CK-104X	C CAPACITOR	0.1uF 16V K	
C6714	NCB21HK-222X	C CAPACITOR	2200pF 50V K		C8210	QETJ1CM-227Z	E CAPACITOR	220uF 16V M	
C6715	QEKJ1HM-225Z	E CAPACITOR	2.2uF 50V M		C8211	NCB31CK-104X	C CAPACITOR	0.1uF 16V K	
C6716	NCB21HK-222X	C CAPACITOR	2200pF 50V K		C8212	QETJ1CM-227Z	E CAPACITOR	220uF 16V M	
C6717	QEKJ1HM-225Z	E CAPACITOR	2.2uF 50V M		C8215	QETJ1EM-476Z	E CAPACITOR	47uF 25V M	
C6719	QEKJ1CM-106Z	E CAPACITOR	10uF 16V M		C8217	QETJ1EM-476Z	E CAPACITOR	47uF 25V M	
C6720	QEKJ1CM-106Z	E CAPACITOR	10uF 16V M		C8220	NCF31EZ-104X	C CAPACITOR	0.1uF 25V Z	
C6721	NCB21HK-103X	C CAPACITOR	0.01uF 50V K		C8301	QETN1CM-477Z	E CAPACITOR	470uF 16V M	
C6723	NCB21HK-103X	C CAPACITOR	0.01uF 50V K		C8302	NCB31CK-104X	C CAPACITOR	0.1uF 16V K	
C6724	QEKJ1HM-225Z	E CAPACITOR	2.2uF 50V M	M10SEF	C8303	QEKJ1HM-475Z	E CAPACITOR	4.7uF 50V M	
C6753	QEKJ0JM-337Z	E CAPACITOR	330uF 6.3V M		C8304	QEKJ1HM-475Z	E CAPACITOR	4.7uF 50V M	
C7202	QEKJ0JM-227Z	E CAPACITOR	220uF 6.3V M		C8305	QEKJ1HM-475Z	E CAPACITOR	4.7uF 50V M	
C7203	QEKJ0JM-107Z	E CAPACITOR	100uF 6.3V M		C8306	QEKJ1HM-475Z	E CAPACITOR	4.7uF 50V M	
C7301	QEKJ0JM-107Z	E CAPACITOR	100uF 6.3V M		C8307	QEKJ1HM-475Z	E CAPACITOR	4.7uF 50V M	
C7302	NCB31CK-104X	C CAPACITOR	0.1uF 16V K		C8308	QEKJ1HM-475Z	E CAPACITOR	4.7uF 50V M	
C7303	NCB31EK-103X	C CAPACITOR	0.01uF 25V K		C8311	QETN1CM-477Z	E CAPACITOR	470uF 16V M	
C7304	NCB31EK-103X	C CAPACITOR	0.01uF 25V K		C8312	NCB31CK-104X	C CAPACITOR	0.1uF 16V K	
C7305	NCB30JK-105X	C CAPACITOR	1uF 6.3V K		C8313	QEKJ1HM-475Z	E CAPACITOR	4.7uF 50V M	
C7306	NCB30JK-105X	C CAPACITOR	1uF 6.3V K		C8314	QEKJ1HM-475Z	E CAPACITOR	4.7uF 50V M	
C7307	QEKJ0JM-226Z	E CAPACITOR	22uF 6.3V M		C8315	QEKJ1HM-475Z	E CAPACITOR	4.7uF 50V M	
C7308	NCB30JK-105X	C CAPACITOR	1uF 6.3V K		C8316	QEKJ1HM-475Z	E CAPACITOR	4.7uF 50V M	
C7309	NCB30JK-105X	C CAPACITOR	1uF 6.3V K		C8317	QEKJ1HM-475Z	E CAPACITOR	4.7uF 50V M	
C7310	NCB30JK-105X	C CAPACITOR	1uF 6.3V K		C8318	QEKJ1HM-475Z	E CAPACITOR	4.7uF 50V M	
C7311	NCB31CK-104X	C CAPACITOR	0.1uF 16V K		C8321	QETN1CM-227Z	E CAPACITOR	220uF 16V M	
C7312	NCB31EK-103X	C CAPACITOR	0.01uF 25V K		C8322	NCB31CK-104X	C CAPACITOR	0.1uF 16V K	
C7313	NCB31CK-104X	C CAPACITOR	0.1uF 16V K		C8323	QETN1CM-227Z	E CAPACITOR	220uF 16V M	
C7314	NCB31EK-103X	C CAPACITOR	0.01uF 25V K		C8324	NCB31CK-104X	C CAPACITOR	0.1uF 16V K	
C7315	QEKJ1CM-476Z	E CAPACITOR	47uF 16V M		C8401	QEKJ0JM-107Z	E CAPACITOR	100uF 6.3V M	
C7316	QEKJ1HM-475Z	E CAPACITOR	4.7uF 50V M		C8402	NCB31CK-104X	C CAPACITOR	0.1uF 16V K	
C7317	NCB31CK-104X	C CAPACITOR	0.1uF 16V K		C8501	QETN1CM-107Z	E CAPACITOR	100uF 16V M	
C7318	QEKJ1HM-475Z	E CAPACITOR	4.7uF 50V M		C8502	NCB31CK-104X	C CAPACITOR	0.1uF 16V K	
C7319	QEKJ1HM-475Z	E CAPACITOR	4.7uF 50V M		C8503	QETN1HM-475Z	E CAPACITOR	4.7uF 50V M	
C7327	QETN0JM-477Z	E CAPACITOR	470uF 6.3V M		C8504	NDC31HJ-151X	C CAPACITOR	150pF 50V J	
C7330	NCB31HK-102X	C CAPACITOR	1000pF 50V K		C8505	NDC31HJ-331X	C CAPACITOR	330pF 50V J	
C7331	NCB31HK-102X	C CAPACITOR	1000pF 50V K		C8506	NCB31CK-104X	C CAPACITOR	0.1uF 16V K	
C7334	NDC31HJ-681X	C CAPACITOR	680pF 50V J		R3011	NRSA63J-0R0X	MG RESISTOR	0Ω 1/16W J	
C7335	NDC31HJ-681X	C CAPACITOR	680pF 50V J		R3012	NRSA63J-0R0X	MG RESISTOR	0Ω 1/16W J	
C7336	QETN0JM-477Z	E CAPACITOR	470uF 6.3V M		R3016	NRSA63J-0R0X	MG RESISTOR	0Ω 1/16W J	
C7337	QETN0JM-477Z	E CAPACITOR	470uF 6.3V M		R3017	NRSA63J-104X	MG RESISTOR	100kΩ 1/16W J	
C7338	QETN0JM-477Z	E CAPACITOR	470uF 6.3V M		R3018	NRSA63J-682X	MG RESISTOR	6.8kΩ 1/16W J	
C7339	QETN0JM-477Z	E CAPACITOR	470uF 6.3V M		R3022	NRSA63J-0R0X	MG RESISTOR	0Ω 1/16W J	
C7340	QETN0JM-477Z	E CAPACITOR	470uF 6.3V M		R3028	NRSA63J-102X	MG RESISTOR	1kΩ 1/16W J	
C7345	NCB31EK-103X	C CAPACITOR	0.01uF 25V K		R3029	NRSA63J-102X	MG RESISTOR	1kΩ 1/16W J	
C7346	QEKJ1CM-107Z	E CAPACITOR	100uF 16V M		R3038	NRSA63J-0R0X	MG RESISTOR	0Ω 1/16W J	
C7347	QEKJ1CM-476Z	E CAPACITOR	47uF 16V M		R3039	NRSA63J-0R0X	MG RESISTOR	0Ω 1/16W J	
C7350	NCB31HK-102X	C CAPACITOR	1000pF 50V K		R3040	NRSA63J-102X	MG RESISTOR	1kΩ 1/16W J	
C7351	NCB31HK-102X	C CAPACITOR	1000pF 50V K		R3041	NRSA63J-103X	MG RESISTOR	10kΩ 1/16W J	
C7354	NDC31HJ-681X	C CAPACITOR	680pF 50V J		R3044	NRSA63J-102X	MG RESISTOR	1kΩ 1/16W J	
C7355	NDC31HJ-681X	C CAPACITOR	680pF 50V J		R3046	NRSA63J-102X	MG RESISTOR	1kΩ 1/16W J	
C7368	NDC31HJ-120X	C CAPACITOR	12pF 50V J		R3047	NRSA63J-102X	MG RESISTOR	1kΩ 1/16W J	
C7369	NDC31HJ-6R0X	C CAPACITOR	6pF 50V J		R3048	NRSA63J-102X	MG RESISTOR	1kΩ 1/16W J	
C7371	NCB31EK-103X	C CAPACITOR	0.01uF 25V K		R3049	NRSA63J-0R0X	MG RESISTOR	0Ω 1/16W J	
C8001	NDC31HJ-101X	C CAPACITOR	100pF 50V J		R3050	NRSA63J-0R0X	MG RESISTOR	0Ω 1/16W J	
C8002	NDC31HJ-101X	C CAPACITOR	100pF 50V J		R3051	NRSA63J-471X	MG RESISTOR	470Ω 1/16W J	
C8005	QEKJ1HM-105Z	E CAPACITOR	1uF 50V M		R3052	NRSA63J-471X	MG RESISTOR	470Ω 1/16W J	
C8007	QERF1HM-105Z	E CAPACITOR	1uF 50V M		R3053	NRSA63J-471X	MG RESISTOR	470Ω 1/16W J	
C8008	QEKJ1HM-105Z	E CAPACITOR	1uF 50V M		R3054	NRSA63J-471X	MG RESISTOR	470Ω 1/16W J	
C8009	QEKJ1HM-105Z	E CAPACITOR	1uF 50V M		R3055	NRSA63J-102X	MG RESISTOR	1kΩ 1/16W J	
C8010	QEKJ1HM-105Z	E CAPACITOR	1uF 50V M		R3060	NRSA63J-0R0X	MG RESISTOR	0Ω 1/16W J	
C8011	QEKJ1HM-105Z	E CAPACITOR	1uF 50V M		R3061	NRSA63J-0R0X	MG RESISTOR	0Ω 1/16W J	
C8012	QERF1HM-105Z	E CAPACITOR	1uF 50V M		R3062	NRSA63J-103X	MG RESISTOR	10kΩ 1/16W J	
C8014	QEKJ1HM-105Z	E CAPACITOR	1uF 50V M		R3063	NRSA63J-0R0X	MG RESISTOR	0Ω 1/16W J	
C8021	QEKJ1HM-475Z	E CAPACITOR	4.7uF 50V M		R3066	NRSA63J-472X	MG RESISTOR	4.7kΩ 1/16W J	
C8022	QEKJ1HM-475Z	E CAPACITOR	4.7uF 50V M		R3069	NRSA63J-101X	MG RESISTOR	100Ω 1/16W J	
C8023	QEKJ0JM-107Z	E CAPACITOR	100uF 6.3V M		R3071	NRSA63J-103X	MG RESISTOR	10kΩ 1/16W J	
C8024	NCB31CK-104X	C CAPACITOR	0.1uF 16V K		R3072	NRSA63J-0R0X	MG RESISTOR	0Ω 1/16W J	
C8025	QEKJ1HM-475Z	E CAPACITOR	4.7uF 50V M		R3073	NRSA63J-0R0X	MG RESISTOR	0Ω 1/16W J	
C8026	NCB31CK-104X	C CAPACITOR	0.1uF 16V K		R3075	NRSA63J-0R0X	MG RESISTOR	0Ω 1/16W J	
C8027	QEKJ0JM-107Z	E CAPACITOR	100uF 6.3V M		R3076	NRSA63J-0R0X	MG RESISTOR	0Ω 1/16W J	
C8028	NCB31CK-104X	C CAPACITOR	0.1uF 16V K		R3079	NRSA63J-102X	MG RESISTOR	1kΩ 1/16W J	
C8201	NCB31CK-104X	C CAPACITOR	0.1uF 16V K		R3088	NRSA63J-0R0X	MG RESISTOR	0Ω 1/16W J	
C8202	QETJ0JM-477Z	E CAPACITOR	470uF 6.3V M		R3089	NRSA63J-0R0X	MG RESISTOR	0Ω 1/16W J	
C8203	NCB31HK-472X	C CAPACITOR	4700pF 50V K		R3090	NRSA63J-0R0X	MG RESISTOR	0Ω 1/16W J	
C8204	NDC31HJ-471X	C CAPACITOR	470pF 50V J		R3094	NRSA63J-0R0X	MG RESISTOR	0Ω 1/16W J	
C8205	NDC31HJ-471X	C CAPACITOR	470pF 50V J		R3095	NRSA63J-0R0X	MG RESISTOR	0Ω 1/16W J	
C8206	NCB31HK-472X	C CAPACITOR	4700pF 50V K		R3096	NRSA63J-0R0X	MG RESISTOR	0Ω 1/16W J	
C8207	NDC31HJ-471X	C CAPACITOR	470pF 50V J						

△ Symbol No.	Part No.	Part Name	Description	Local	△ Symbol No.	Part No.	Part Name	Description	Local
R3097	NRSA63J-102X	MG RESISTOR	1kΩ 1/16W J		R6021	NRSA02J-102X	MG RESISTOR	1kΩ 1/10W J	
R3213	NRSA63J-474X	MG RESISTOR	470kΩ 1/16W J		R6030	NRSA02J-332X	MG RESISTOR	3.3kΩ 1/10W J	
R3214	NRSA63J-334X	MG RESISTOR	330kΩ 1/16W J		R6031	NRSA02J-101X	MG RESISTOR	100Ω 1/10W J	
R3218	NRSA63J-472X	MG RESISTOR	4.7kΩ 1/16W J		R6032	NRSA02J-183X	MG RESISTOR	18kΩ 1/10W J	M10SEF
R3219	NRSA63J-472X	MG RESISTOR	4.7kΩ 1/16W J		R6033	NRSA02J-183X	MG RESISTOR	18kΩ 1/10W J	M10SEF
R3220	NRSA63J-104X	MG RESISTOR	100kΩ 1/16W J		R6080	NRSA02J-103X	MG RESISTOR	10kΩ 1/10W J	
R3223	NRSA63J-472X	MG RESISTOR	4.7kΩ 1/16W J		R6707	NRSA02J-330X	MG RESISTOR	33Ω 1/10W J	
R3224	NRSA63J-472X	MG RESISTOR	4.7kΩ 1/16W J		R6708	NRSA02J-103X	MG RESISTOR	10kΩ 1/10W J	
R3225	NRSA63J-471X	MG RESISTOR	470Ω 1/16W J		R6709	NRSA02J-102X	MG RESISTOR	1kΩ 1/10W J	
R3226	NRSA63J-471X	MG RESISTOR	470Ω 1/16W J		R6710	NRSA02J-0R0X	MG RESISTOR	0Ω 1/10W J	
R3229	NRSA63J-105X	MG RESISTOR	1MΩ 1/16W J		R6711	NRSA02J-104X	MG RESISTOR	100kΩ 1/10W J	
R3230	NRSA63J-472X	MG RESISTOR	4.7kΩ 1/16W J		R6712	NRSA02J-102X	MG RESISTOR	1kΩ 1/10W J	
R3231	NRSA63J-102X	MG RESISTOR	1kΩ 1/16W J		R6713	NRSA02J-123X	MG RESISTOR	12kΩ 1/10W J	
R3233	NRSA63J-103X	MG RESISTOR	10kΩ 1/16W J		R6714	NRSA02J-102X	MG RESISTOR	1kΩ 1/10W J	
R3234	NRSA63J-103X	MG RESISTOR	10kΩ 1/16W J		R6715	NRSA02J-123X	MG RESISTOR	12kΩ 1/10W J	
R3235	NRSA63J-332X	MG RESISTOR	3.3kΩ 1/16W J		R6716	NRSA02J-470X	MG RESISTOR	47Ω 1/10W J	
R3236	NRSA63J-332X	MG RESISTOR	3.3kΩ 1/16W J		R6719	QRE141J-103Y	C RESISTOR	10kΩ 1/4W J	
R3237	NRSA63J-332X	MG RESISTOR	3.3kΩ 1/16W J		R6720	NRSA02J-562X	MG RESISTOR	5.6kΩ 1/10W J	
R3239	NRSA63J-103X	MG RESISTOR	10kΩ 1/16W J		R6721	NRSA02J-562X	MG RESISTOR	5.6kΩ 1/10W J	
R3240	NRSA63J-103X	MG RESISTOR	10kΩ 1/16W J		R7202	NRSA63J-221X	MG RESISTOR	220Ω 1/16W J	
R3242	NRSA63J-472X	MG RESISTOR	4.7kΩ 1/16W J		R7203	NRSA63J-472X	MG RESISTOR	4.7kΩ 1/16W J	
R3248	NRSA63J-0R0X	MG RESISTOR	0Ω 1/16W J		R7204	QRE121J-100Y	C RESISTOR	10Ω 1/2W J	
R3249	NRSA63J-0R0X	MG RESISTOR	0Ω 1/16W J		R7301	NRSA63J-472X	MG RESISTOR	4.7kΩ 1/16W J	
R3251	NRSA63J-103X	MG RESISTOR	10kΩ 1/16W J		R7302	NRSA63J-472X	MG RESISTOR	4.7kΩ 1/16W J	
R3252	NRSA63J-0R0X	MG RESISTOR	0Ω 1/16W J		R7303	NRSA63J-392X	MG RESISTOR	3.9kΩ 1/16W J	
R3256	NRSA63J-103X	MG RESISTOR	10kΩ 1/16W J		R7304	NRSA63J-223X	MG RESISTOR	22kΩ 1/16W J	
R3257	NRSA63J-103X	MG RESISTOR	10kΩ 1/16W J		R7305	NRSA63J-331X	MG RESISTOR	330Ω 1/16W J	
R3258	NRSA63J-103X	MG RESISTOR	10kΩ 1/16W J		R7309	NRSA63J-104X	MG RESISTOR	100kΩ 1/16W J	
R3260	NRSA63J-103X	MG RESISTOR	10kΩ 1/16W J		R7311	QRE141J-153Y	C RESISTOR	15kΩ 1/4W J	
R4001	NRSA63J-0R0X	MG RESISTOR	0Ω 1/16W J		R7312	NRSA63J-103X	MG RESISTOR	10kΩ 1/16W J	
R4003	NRSA63J-0R0X	MG RESISTOR	0Ω 1/16W J		R7314	NRSA63J-103X	MG RESISTOR	10kΩ 1/16W J	
R4004	NRSA63J-0R0X	MG RESISTOR	0Ω 1/16W J		R7315	NRSA63J-472X	MG RESISTOR	4.7kΩ 1/16W J	
R4006	NRSA63J-0R0X	MG RESISTOR	0Ω 1/16W J		R7318	NRSA63D-750X	MG RESISTOR	75Ω 1/16W D	
R4007	NRSA63J-0R0X	MG RESISTOR	0Ω 1/16W J		R7319	NRSA63D-750X	MG RESISTOR	75Ω 1/16W D	
R4009	NRSA63J-0R0X	MG RESISTOR	0Ω 1/16W J		R7320	NRSA63D-750X	MG RESISTOR	75Ω 1/16W D	
R4010	NRSA63J-332X	MG RESISTOR	3.3kΩ 1/16W J		R7335	NRSA63J-101X	MG RESISTOR	100Ω 1/16W J	
R4011	NRSA63J-0R0X	MG RESISTOR	0Ω 1/16W J		R7336	NRSA63J-101X	MG RESISTOR	100Ω 1/16W J	
R4012	NRSA63J-0R0X	MG RESISTOR	0Ω 1/16W J		R7337	NRSA63J-101X	MG RESISTOR	100Ω 1/16W J	
R4017	NRSA63J-102X	MG RESISTOR	1kΩ 1/16W J		R7338	NRSA63J-101X	MG RESISTOR	100Ω 1/16W J	
R4018	NRSA63J-272X	MG RESISTOR	2.7kΩ 1/16W J		R7339	QRE141J-101Y	C RESISTOR	100Ω 1/4W J	
R4021	NRSA63J-271X	MG RESISTOR	270Ω 1/16W J		R7340	NRSA63J-750X	MG RESISTOR	75Ω 1/16W J	
R4026	NRSA63J-102X	MG RESISTOR	1kΩ 1/16W J		R7341	NRSA63J-102X	MG RESISTOR	1kΩ 1/16W J	
R4027	NRSA63J-562X	MG RESISTOR	5.6kΩ 1/16W J		R7342	NRSA63J-102X	MG RESISTOR	1kΩ 1/16W J	
R4028	NRSA63J-562X	MG RESISTOR	5.6kΩ 1/16W J		R7343	NRSA63J-750X	MG RESISTOR	75Ω 1/16W J	
R4029	NRSA63J-222X	MG RESISTOR	2.2kΩ 1/16W J		R7344	NRSA63D-750X	MG RESISTOR	75Ω 1/16W D	
R4044	NRSA63J-471X	MG RESISTOR	470Ω 1/16W J		R7345	NRSA63D-750X	MG RESISTOR	75Ω 1/16W D	
R4045	NRSA63J-821X	MG RESISTOR	820Ω 1/16W J		R7346	NRSA63D-680X	MG RESISTOR	68Ω 1/16W D	
R4046	NRSA63J-332X	MG RESISTOR	3.3kΩ 1/16W J		R7347	NRSA63D-750X	MG RESISTOR	75Ω 1/16W D	
R4047	NRSA63J-103X	MG RESISTOR	10kΩ 1/16W J		R7349	QRE121J-331Y	C RESISTOR	330Ω 1/2W J	
R4048	NRSA63J-0R0X	MG RESISTOR	0Ω 1/16W J		R7350	NRSA63J-562X	MG RESISTOR	5.6kΩ 1/16W J	
R4051	NRSA63J-0R0X	MG RESISTOR	0Ω 1/16W J		R7351	NRSA63J-562X	MG RESISTOR	5.6kΩ 1/16W J	
R4104	NRSA63J-221X	MG RESISTOR	220Ω 1/16W J		R7352	NRSA63J-332X	MG RESISTOR	3.3kΩ 1/16W J	
R4105	NRSA63J-105X	MG RESISTOR	1MΩ 1/16W J		R7353	NRSA63J-101X	MG RESISTOR	100Ω 1/16W J	
R4201	NRSA63J-103X	MG RESISTOR	10kΩ 1/16W J		R7354	NRSA63J-101X	MG RESISTOR	100Ω 1/16W J	
R4203	NRSA63J-103X	MG RESISTOR	10kΩ 1/16W J		R7355	NRSA63J-101X	MG RESISTOR	100Ω 1/16W J	
R4204	NRSA63J-0R0X	MG RESISTOR	0Ω 1/16W J		R7356	NRSA63J-101X	MG RESISTOR	100Ω 1/16W J	
R4205	NRSA63J-0R0X	MG RESISTOR	0Ω 1/16W J		R7357	NRSA63J-750X	MG RESISTOR	75Ω 1/16W J	
R4207	NRSA63J-0R0X	MG RESISTOR	0Ω 1/16W J		R7358	NRSA63J-750X	MG RESISTOR	75Ω 1/16W J	
R4208	NRSA63J-0R0X	MG RESISTOR	0Ω 1/16W J		R7359	NRSA63J-750X	MG RESISTOR	75Ω 1/16W J	
R4209	NRSA63J-103X	MG RESISTOR	10kΩ 1/16W J		R7360	NRSA63J-750X	MG RESISTOR	75Ω 1/16W J	
R4210	NRSA63J-272X	MG RESISTOR	2.7kΩ 1/16W J		R7361	NRSA63J-750X	MG RESISTOR	75Ω 1/16W J	
R4211	NRSA63J-562X	MG RESISTOR	5.6kΩ 1/16W J		R7367	NRSA63J-122X	MG RESISTOR	1.2kΩ 1/16W J	
R4301	NRSA63J-561X	MG RESISTOR	560Ω 1/16W J	M10SEF	R7368	NRSA63J-102X	MG RESISTOR	1kΩ 1/16W J	
R4302	NRSA63J-0R0X	MG RESISTOR	0Ω 1/16W J	M10SEF	R7378	QRE141J-103Y	C RESISTOR	10kΩ 1/4W J	
R4304	NRSA63J-223X	MG RESISTOR	22kΩ 1/16W J	M10SEF	R8001	NRSA63J-513X	MG RESISTOR	51kΩ 1/16W J	
R4305	NRSA63J-562X	MG RESISTOR	5.6kΩ 1/16W J	M10SEF	R8002	NRSA63J-513X	MG RESISTOR	51kΩ 1/16W J	
R4306	NRSA63J-122X	MG RESISTOR	1.2kΩ 1/16W J	M10SEF	R8007	NRSA63J-473X	MG RESISTOR	47kΩ 1/16W J	
R4307	NRSA63J-103X	MG RESISTOR	10kΩ 1/16W J	M10SEF	R8008	NRSA63J-473X	MG RESISTOR	47kΩ 1/16W J	
R4308	NRSA63J-223X	MG RESISTOR	22kΩ 1/16W J	M10SEF	R8013	NRSA63J-473X	MG RESISTOR	47kΩ 1/16W J	
R4309	NRSA63J-222X	MG RESISTOR	2.2kΩ 1/16W J	M10SEF	R8014	NRSA63J-473X	MG RESISTOR	47kΩ 1/16W J	
R4310	NRSA63J-822X	MG RESISTOR	8.2kΩ 1/16W J	M10SEF	R8015	NRSA63J-473X	MG RESISTOR	47kΩ 1/16W J	
R4311	NRSA63J-123X	MG RESISTOR	12kΩ 1/16W J	M10SEF	R8016	NRSA63J-473X	MG RESISTOR	47kΩ 1/16W J	
R4312	NRSA63J-0R0X	MG RESISTOR	0Ω 1/16W J	M10SEF	R8017	NRSA63J-203X	MG RESISTOR	20kΩ 1/16W J	
R4317	NRSA63J-223X	MG RESISTOR	22kΩ 1/16W J	M10SEF	R8019	NRSA63D-473X	MG RESISTOR	47kΩ 1/16W D	
R4318	NRSA63J-103X	MG RESISTOR	10kΩ 1/16W J	M10SEF	R8020	NRSA63D-473X	MG RESISTOR	47kΩ 1/16W D	
R4319	NRSA63J-123X	MG RESISTOR	12kΩ 1/16W J	M10SEF	R8021	NRSA63D-473X	MG RESISTOR	47kΩ 1/16W D	
R4320	NRSA63J-0R0X	MG RESISTOR	0Ω 1/16W J	M10SEF	R8022	NRSA63D-473X	MG RESISTOR	47kΩ 1/16W D	
R6020	NRSA02J-102X	MG RESISTOR	1kΩ 1/10W J		R8023	NRSA63D-473X	MG RESISTOR	47kΩ 1/16W D	

△ Symbol No.	Part No.	Part Name	Description	Local	△ Symbol No.	Part No.	Part Name	Description	Local
R8024	NRSA63D-473X	MG RESISTOR	47kΩ 1/16W D		L4006	QQL29BJ-100Z	P COIL	0.40Ω 10uH J	
R8026	NRSA63J-203X	MG RESISTOR	20kΩ 1/16W J		L4007	QQL071J-8R2Y	COIL	1.30Ω 8.2uH J	
R8031	NRSA63D-203X	MG RESISTOR	20kΩ 1/16W D		L4201	QQL29BJ-100Z	P COIL	0.40Ω 10uH J	
R8032	NRSA63D-203X	MG RESISTOR	20kΩ 1/16W D		L4301	QQL29BJ-100Z	P COIL	0.40Ω 10uH J	M10SEF
R8033	NRSA63J-470X	MG RESISTOR	47Ω 1/16W J		L6001	QQL29BK-1R0Z	P COIL	0.14Ω 1uH K	
R8034	NRSA63J-470X	MG RESISTOR	47Ω 1/16W J		L6002	QQL29BK-1R0Z	P COIL	0.14Ω 1uH K	
R8035	NRSA63J-470X	MG RESISTOR	47Ω 1/16W J		L6005	QQL29BK-1R0Z	P COIL	0.14Ω 1uH K	
R8036	NRSA63J-470X	MG RESISTOR	47Ω 1/16W J		L6701	QQL29BJ-3R3Z	P COIL	0.24Ω 3.3uH J	
R8039	NRSA63J-472X	MG RESISTOR	47kΩ 1/16W J		L7201	QQL29BJ-100Z	P COIL	0.40Ω 10uH J	
R8040	NRSA63J-563X	MG RESISTOR	56kΩ 1/16W J		L7304	QQL29BJ-100Z	P COIL	0.40Ω 10uH J	
R8041	NRSA63J-823X	MG RESISTOR	82kΩ 1/16W J		L7325	QQL071J-6R8Y	COIL	1.20Ω 6.8uH J	
R8042	NRSA63J-393X	MG RESISTOR	39kΩ 1/16W J		L8501	QQL071J-1R0Y	COIL	0.46Ω 1uH J	
R8043	NRSA63J-823X	MG RESISTOR	82kΩ 1/16W J						
R8044	NRSA63J-182X	MG RESISTOR	1.8kΩ 1/16W J		B3962	NRSA63J-0R0X	MG RESISTOR	0Ω 1/16W J	
R8045	NRSA63J-332X	MG RESISTOR	3.3kΩ 1/16W J		B3966	NRSA63J-0R0X	MG RESISTOR	0Ω 1/16W J	
R8046	NRSA63J-103X	MG RESISTOR	10kΩ 1/16W J		B3971	NRSA63J-0R0X	MG RESISTOR	0Ω 1/16W J	
R8047	NRSA63J-153X	MG RESISTOR	15kΩ 1/16W J		B3976	NRSA63J-0R0X	MG RESISTOR	0Ω 1/16W J	
R8201	NRSA63J-470X	MG RESISTOR	47Ω 1/16W J		B4001	NRSA63J-0R0X	MG RESISTOR	0Ω 1/16W J	
R8202	NRSA63J-470X	MG RESISTOR	47Ω 1/16W J		B4002	NRSA63J-0R0X	MG RESISTOR	0Ω 1/16W J	
R8203	NRSA63J-470X	MG RESISTOR	47Ω 1/16W J		B7301	NRSA63J-0R0X	MG RESISTOR	0Ω 1/16W J	
R8204	NRSA63J-470X	MG RESISTOR	47Ω 1/16W J		B7304	NRSA63J-0R0X	MG RESISTOR	0Ω 1/16W J	
R8206	NRSA63J-104X	MG RESISTOR	100kΩ 1/16W J		B7305	NRSA63J-0R0X	MG RESISTOR	0Ω 1/16W J	
R8211	NRSA63D-432X	MG RESISTOR	4.3kΩ 1/16W D		B7306	NRSA63J-0R0X	MG RESISTOR	0Ω 1/16W J	
R8212	NRSA63D-432X	MG RESISTOR	4.3kΩ 1/16W D		CN3001	QGF1207C1-18	CONNECTOR	FFC/FPC (1-18)	
R8213	NRSA63D-472X	MG RESISTOR	4.7kΩ 1/16W D		CN3002	QGF1207C1-09	CONNECTOR	FFC/FPC (1-9)	
R8214	NRSA63D-472X	MG RESISTOR	4.7kΩ 1/16W D		CN3901	QGF1207C1-06	CONNECTOR	FFC/FPC (1-6)	
R8215	NRSA63D-121X	MG RESISTOR	120Ω 1/16W D		CN4001	QGF1207C1-11	CONNECTOR	FFC/FPC (1-11)	
R8216	NRSA63D-121X	MG RESISTOR	120Ω 1/16W D		CN4101	QGB2027M5-28S	CONNECTOR	B-B (1-28)	
R8217	NRSA63D-432X	MG RESISTOR	4.3kΩ 1/16W D		CN4102	QGB2027M5-28S	CONNECTOR	B-B (1-28)	
R8218	NRSA63D-432X	MG RESISTOR	4.3kΩ 1/16W D		CN5101	QGF1207C1-19	CONNECTOR	FFC/FPC (1-19)	
R8219	NRSA63D-472X	MG RESISTOR	4.7kΩ 1/16W D		CN5102	QGB1231M1-09	CONNECTOR	B-B (1-9)	
R8220	NRSA63D-472X	MG RESISTOR	4.7kΩ 1/16W D		CN7301	QGF1207C1-07	CONNECTOR	FFC/FPC (1-7)	
R8221	NRSA63D-121X	MG RESISTOR	120Ω 1/16W D		GN2	QNZ0136-001Z	EARTH PLATE		
R8222	NRSA63D-121X	MG RESISTOR	120Ω 1/16W D		GN3	QNZ0136-001Z	EARTH PLATE		
R8223	NRSA63J-221X	MG RESISTOR	220Ω 1/16W J		GN5	QNZ0136-001Z	EARTH PLATE		
R8224	NRSA63J-221X	MG RESISTOR	220Ω 1/16W J		J4109	QNS0089-001	3.5 JACK	COMPU/SAT	
R8233	NRSA63J-473X	MG RESISTOR	47kΩ 1/16W J		J7301	QNZ0516-001	RGB CONNECTOR		
R8234	NRSA63J-473X	MG RESISTOR	47kΩ 1/16W J		J7302	QNZ0516-001	RGB CONNECTOR		
R8241	NRSA63J-273X	MG RESISTOR	27kΩ 1/16W J		J7309	QNN0635-002	PIN JACK	VIDEO OUT	
R8242	NRSA63J-471X	MG RESISTOR	470Ω 1/16W J		J8501	GP1FP513TKBF	OPT TRANSMITTER	OPT/COAX OUT	
R8244	NRSA63J-682X	MG RESISTOR	6.8kΩ 1/16W J		K6701	NQR0200-003X	FERRITE BEADS		
R8249	NRSA63J-273X	MG RESISTOR	27kΩ 1/16W J		K6702	NQR0200-003X	FERRITE BEADS		
R8250	NRSA63J-471X	MG RESISTOR	470Ω 1/16W J		K6703	NRSA02J-0R0X	MG RESISTOR	0Ω 1/10W J	
R8252	NRSA63J-682X	MG RESISTOR	6.8kΩ 1/16W J		K6704	NRSA02J-0R0X	MG RESISTOR	0Ω 1/10W J	
R8301	NRSA63J-101X	MG RESISTOR	100Ω 1/16W J		K6705	NQR0200-003X	FERRITE BEADS		
R8302	NRSA63J-101X	MG RESISTOR	100Ω 1/16W J		K6706	NQR0200-003X	FERRITE BEADS		
R8303	NRSA63J-471X	MG RESISTOR	470Ω 1/16W J		K6707	NQR0129-003X	FERRITE BESDA		M10SEF
R8304	NRSA63J-273X	MG RESISTOR	27kΩ 1/16W J		K6708	NQR0200-003X	FERRITE BEADS		
R8305	NRSA63J-682X	MG RESISTOR	6.8kΩ 1/16W J		K8001	NQR0339-001X	FERRITE BEADS		
R8306	NRSA63J-471X	MG RESISTOR	470Ω 1/16W J		K8002	NQR0339-001X	FERRITE BEADS		
R8307	NRSA63J-273X	MG RESISTOR	27kΩ 1/16W J		K8201	NQR0339-001X	FERRITE BEADS		
R8308	NRSA63J-682X	MG RESISTOR	6.8kΩ 1/16W J		K8401	NQR0339-001X	FERRITE BEADS		
R8309	NRSA63J-471X	MG RESISTOR	470Ω 1/16W J		K8501	NQR0227-004X	FERRITE BEADS		
R8310	NRSA63J-273X	MG RESISTOR	27kΩ 1/16W J		ST1	PU59391	STYLE PIN		
R8311	NRSA63J-682X	MG RESISTOR	6.8kΩ 1/16W J		TU6001	QAU0299-001	TUNER		M10SEF
R8312	NRSA63J-471X	MG RESISTOR	470Ω 1/16W J		TU6001	QAU0323-001	TUNER	M10BE,M10SE,M10SEK,M10SER	
R8313	NRSA63J-273X	MG RESISTOR	27kΩ 1/16W J		W1	NRSA63J-0R0X	MG RESISTOR	0Ω 1/16W J	
R8314	NRSA63J-682X	MG RESISTOR	6.8kΩ 1/16W J		W2	NRSA63J-0R0X	MG RESISTOR	0Ω 1/16W J	
R8315	NRSA63J-470X	MG RESISTOR	47Ω 1/16W J		W3	NRSA63J-0R0X	MG RESISTOR	0Ω 1/16W J	
R8316	NRSA63J-470X	MG RESISTOR	47Ω 1/16W J		W4	NRSA63J-0R0X	MG RESISTOR	0Ω 1/16W J	
R8321	NRSA63J-221X	MG RESISTOR	220Ω 1/16W J		W5	NRSA63J-0R0X	MG RESISTOR	0Ω 1/16W J	
R8322	NRSA63J-221X	MG RESISTOR	220Ω 1/16W J		W6	NRSA63J-0R0X	MG RESISTOR	0Ω 1/16W J	
R8323	NRSA63J-103X	MG RESISTOR	10kΩ 1/16W J		W7	NRSA63J-0R0X	MG RESISTOR	0Ω 1/16W J	
R8324	NRSA63J-332X	MG RESISTOR	3.3kΩ 1/16W J		W8	NRSA63J-0R0X	MG RESISTOR	0Ω 1/16W J	
R8325	NRSA63J-103X	MG RESISTOR	10kΩ 1/16W J		W9	NRSA63J-0R0X	MG RESISTOR	0Ω 1/16W J	
R8326	NRSA63J-332X	MG RESISTOR	3.3kΩ 1/16W J		W10	NRSA63J-0R0X	MG RESISTOR	0Ω 1/16W J	
R8501	NRSA63J-4R7X	MG RESISTOR	4.7Ω 1/16W J		W11	NRSA63J-0R0X	MG RESISTOR	0Ω 1/16W J	
R8502	NRSA63J-561X	MG RESISTOR	560Ω 1/16W J		W12	NRSA63J-0R0X	MG RESISTOR	0Ω 1/16W J	
R8503	NRSA63J-561X	MG RESISTOR	560Ω 1/16W J		W13	NRSA63J-0R0X	MG RESISTOR	0Ω 1/16W J	
R8504	NRSA63J-820X	MG RESISTOR	82Ω 1/16W J		W14	NRSA63J-0R0X	MG RESISTOR	0Ω 1/16W J	
R8505	NRSA63J-100X	MG RESISTOR	10Ω 1/16W J		W15	NRSA63J-0R0X	MG RESISTOR	0Ω 1/16W J	
R8506	NRSA63J-100X	MG RESISTOR	10Ω 1/16W J		W16	NRSA63J-0R0X	MG RESISTOR	0Ω 1/16W J	
R8507	NRSA63J-561X	MG RESISTOR	560Ω 1/16W J		W17	NRSA63J-0R0X	MG RESISTOR	0Ω 1/16W J	
					W18	NRSA63J-0R0X	MG RESISTOR	0Ω 1/16W J	
L3001	QQL231J-R22Y	COIL	0.40Ω 0.22uH J		W19	NRSA63J-0R0X	MG RESISTOR	0Ω 1/16W J	
L4001	QQL29BJ-100Z	P COIL	0.40Ω 10uH J		W20	NRSA63J-0R0X	MG RESISTOR	0Ω 1/16W J	
L4002	QQL29BJ-100Z	P COIL	0.40Ω 10uH J		W21	NRSA63J-0R0X	MG RESISTOR	0Ω 1/16W J	
L4004	QQL071J-330Y	COIL	3.80Ω 33uH J		W22	NRSA63J-0R0X	MG RESISTOR	0Ω 1/16W J	

△ Symbol No.	Part No.	Part Name	Description	Local
W23	NRSA63J-0R0X	MG RESISTOR	0Ω 1/16W J	
W24	NRSA63J-0R0X	MG RESISTOR	0Ω 1/16W J	
W25	NRSA63J-0R0X	MG RESISTOR	0Ω 1/16W J	
W26	NRSA63J-0R0X	MG RESISTOR	0Ω 1/16W J	
W27	NRSA63J-0R0X	MG RESISTOR	0Ω 1/16W J	
W28	NRSA63J-0R0X	MG RESISTOR	0Ω 1/16W J	
W29	NRSA63J-0R0X	MG RESISTOR	0Ω 1/16W J	
W30	NRSA63J-0R0X	MG RESISTOR	0Ω 1/16W J	
W31	NRSA63J-0R0X	MG RESISTOR	0Ω 1/16W J	
W32	NRSA63J-0R0X	MG RESISTOR	0Ω 1/16W J	
W33	NRSA63J-0R0X	MG RESISTOR	0Ω 1/16W J	
W34	NRSA63J-0R0X	MG RESISTOR	0Ω 1/16W J	
W35	NRSA63J-0R0X	MG RESISTOR	0Ω 1/16W J	
W36	NRSA63J-0R0X	MG RESISTOR	0Ω 1/16W J	
W37	NRSA63J-0R0X	MG RESISTOR	0Ω 1/16W J	
W38	NRSA63J-0R0X	MG RESISTOR	0Ω 1/16W J	
W39	NRSA63J-0R0X	MG RESISTOR	0Ω 1/16W J	
W40	NRSA63J-0R0X	MG RESISTOR	0Ω 1/16W J	
W41	NRSA63J-0R0X	MG RESISTOR	0Ω 1/16W J	
W42	NRSA63J-0R0X	MG RESISTOR	0Ω 1/16W J	
W43	NRSA63J-0R0X	MG RESISTOR	0Ω 1/16W J	
W44	NRSA63J-0R0X	MG RESISTOR	0Ω 1/16W J	
W45	NRSA63J-0R0X	MG RESISTOR	0Ω 1/16W J	
W46	NRSA63J-0R0X	MG RESISTOR	0Ω 1/16W J	
W47	NRSA63J-0R0X	MG RESISTOR	0Ω 1/16W J	
W48	NRSA63J-0R0X	MG RESISTOR	0Ω 1/16W J	
W49	NRSA63J-0R0X	MG RESISTOR	0Ω 1/16W J	
W50	NRSA63J-0R0X	MG RESISTOR	0Ω 1/16W J	
W51	NRSA63J-0R0X	MG RESISTOR	0Ω 1/16W J	
W52	NRSA63J-0R0X	MG RESISTOR	0Ω 1/16W J	
W53	NRSA63J-0R0X	MG RESISTOR	0Ω 1/16W J	
W54	NRSA63J-0R0X	MG RESISTOR	0Ω 1/16W J	
W55	NRSA63J-0R0X	MG RESISTOR	0Ω 1/16W J	
W56	NRSA63J-0R0X	MG RESISTOR	0Ω 1/16W J	
W57	NRSA63J-0R0X	MG RESISTOR	0Ω 1/16W J	
X3001	QAX0444-001	CRYSTAL	32.768kHz	M10SEF,M10SEK
X3001	QAX0445-001	CRYSTAL	32.768kHz	M10BE,M10SE,M10SER
X3002	QAX0527-001	CRYSTAL	10.000000MHz	
X4001	QAX0576-001	CRYSTAL	4.433619MHz	
X6701	QAX0773-001Z	CRYSTAL	18.432000MHz	

Operation board

Block No. [2][7]

△ Symbol No.	Part No.	Part Name	Description	Local
PW1	LPA10239-01A3	OPERATION BOARD ASSY		
Q7103	DTA114ESA-T	DIGI TRANSISTOR		
D7112	1SS133-T2	DIODE		
D7112	or 1SS270A-T2	SI DIODE		
D7113	1SS133-T2	DIODE		
D7113	or 1SS270A-T2	SI DIODE		
D7114	1SS133-T2	DIODE		
D7114	or 1SS270A-T2	SI DIODE		
D7115	1SS133-T2	DIODE		
D7115	or 1SS270A-T2	SI DIODE		
D7123	SLR-343MC-T	LED		
C7150	NRSA63J-0R0X	MG RESISTOR	0Ω 1/16W J	
C7151	NCB31HK-102X	C CAPACITOR	1000pF 50V K	
C7153	NCB31HK-102X	C CAPACITOR	1000pF 50V K	
R7106	QRE141J-331Y	C RESISTOR	330Ω 1/4W J	
R7151	NRSA63J-750X	MG RESISTOR	75Ω 1/16W J	
R7152	NRSA63J-750X	MG RESISTOR	75Ω 1/16W J	
R7153	NRSA63J-750X	MG RESISTOR	75Ω 1/16W J	
R7154	NRSA63J-101X	MG RESISTOR	100Ω 1/16W J	
R7155	NRSA63J-101X	MG RESISTOR	100Ω 1/16W J	
R7156	NRSA63J-0R0X	MG RESISTOR	0Ω 1/16W J	
B7108	NRSA63J-0R0X	MG RESISTOR	0Ω 1/16W J	
CN7101	QGF1208F1-09	CONNECTOR	FFC/FPC (1-9)	

△ Symbol No.	Part No.	Part Name	Description	Local
CN7102	QGF1208F1-11	CONNECTOR	FFC/FPC (1-11)	
J7001	QND0084-001	S JACK	S-VIDEO IN	
J7002	QNN0364-002	PIN JACK	A/V IN	
S7113	QSW0381-001Z	TACT SWITCH	REC	
S7114	QSW0381-001Z	TACT SWITCH	REC MODE	
S7115	QSW0381-001Z	TACT SWITCH	PAUSE	
S7132	QSW0381-001Z	TACT SWITCH	OPEN/CLOSE	
S7133	QSW0381-001Z	TACT SWITCH	SAT	
S7134	QSW0381-001Z	TACT SWITCH	STOP	
S7135	QSW0381-001Z	TACT SWITCH	PLAY	
W7151	NRSA63J-0R0X	MG RESISTOR	0Ω 1/16W J	
W7152	NRSA63J-0R0X	MG RESISTOR	0Ω 1/16W J	
W7153	NRSA63J-0R0X	MG RESISTOR	0Ω 1/16W J	
W7154	NRSA63J-0R0X	MG RESISTOR	0Ω 1/16W J	

Swich display board

Block No. [2][8]

△ Symbol No.	Part No.	Part Name	Description	Local
PW1	LPA10239-01A2	SWICH DISPLAY BOARD ASSY		
IC7001	UPD16315GB-3BS	IC		
IC7001	or PT6315	IC		
IC7002	GP1UM281XK	IR DETECT UNIT	38kHz	
IC7002	or PNA4652M00XB	IR DETECT UNIT		
Q7001	2SC1740S/QRS/-T	TRANSISTOR		
Q7001	or 2SC3199/YG/-T	TRANSISTOR		
Q7001	or KTC3199/YG/-T	TRANSISTOR		
D7001	1SS133-T2	DIODE		
D7001	or 1SS270A-T2	SI DIODE		
D7021	RD9.1ES/B2/-T2	Z DIODE		
D7021	or MTZJ9.1B-T2	Z DIODE		
D7042	1SS133-T2	DIODE		
D7042	or 1SS270A-T2	SI DIODE		
D7043	SDPB3DC0	LED		
C7001	QCFB1HZ-104Y	C CAPACITOR	0.1uF 50V Z	
C7002	QCFB1HZ-104Y	C CAPACITOR	0.1uF 50V Z	
C7003	QEKJ1HM-106Z	E CAPACITOR	10uF 50V M	
C7006	QEKJ0JM-476Z	E CAPACITOR	47uF 6.3V M	
C7007	QCFB1HZ-104Y	C CAPACITOR	0.1uF 50V Z	
C7008	QEKJ0JM-227Z	E CAPACITOR	220uF 6.3V M	
C7010	QCFB1HZ-473Y	C CAPACITOR	0.047uF 50V Z	
C7011	QCFB1HZ-473Y	C CAPACITOR	0.047uF 50V Z	
C7056	QEKJ1EM-106Z	E CAPACITOR	10uF 25V M	
R7001	NRSA63J-103X	MG RESISTOR	10kΩ 1/16W J	
R7002	NRSA63J-103X	MG RESISTOR	10kΩ 1/16W J	
R7003	NRSA63J-823X	MG RESISTOR	82kΩ 1/16W J	
R7005	NRSA63J-472X	MG RESISTOR	4.7kΩ 1/16W J	
R7006	NRSA63J-472X	MG RESISTOR	4.7kΩ 1/16W J	
R7007	NRSA63J-102X	MG RESISTOR	1kΩ 1/16W J	
R7009	QRE141J-103Y	C RESISTOR	10kΩ 1/4W J	
R7010	NRSA63J-103X	MG RESISTOR	10kΩ 1/16W J	
R7013	NRSA63J-333X	MG RESISTOR	33kΩ 1/16W J	
R7014	NRSA63J-333X	MG RESISTOR	33kΩ 1/16W J	
R7015	NRSA63J-102X	MG RESISTOR	1kΩ 1/16W J	
R7044	QRE141J-392Y	C RESISTOR	3.9kΩ 1/4W J	
R7045	QRE141J-270Y	C RESISTOR	27Ω 1/4W J	
R7047	QRE141J-182Y	C RESISTOR	1.8kΩ 1/4W J	
CN7001	QGF1207C1-18	CONNECTOR	FFC/FPC (1-18)	
D17001	QLF0121-001	FL TUBE		
HD1	PQ34949-1-1	FDP HOLDER(L)		
HD2	LP21255-001A	FL HOLDER(R)		
S7001	QSW0381-001Z	TACT SWITCH	OPERATION	

S/RCA Out board

Block No. [2][9]

△ Symbol No.	Part No.	Part Name	Description	Local
PW1	LPA10239-01A5	S/RCA OUT BOARD ASSY		
C7326	NCB31EK-103X	C CAPACITOR	0.01uF 25V K	
C7365	NCB31HK-102X	C CAPACITOR	1000pF 50V K	
C7367	NCB31HK-102X	C CAPACITOR	1000pF 50V K	
R7327	NRSA63D-750X	MG RESISTOR	75Ω 1/16W D	
R7328	NRSA63D-750X	MG RESISTOR	75Ω 1/16W D	
R7365	NRSA63J-101X	MG RESISTOR	100Ω 1/16W J	
R7366	NRSA63J-101X	MG RESISTOR	100Ω 1/16W J	
CN7312	QGF1208F1-07	CONNECTOR	FFC/FPC (1-7)	
J7307	QNN0631-001	PIN JACK	AUDIO OUT	
J7308	QND0009-001	S JACK	S-VIDEO OUT	

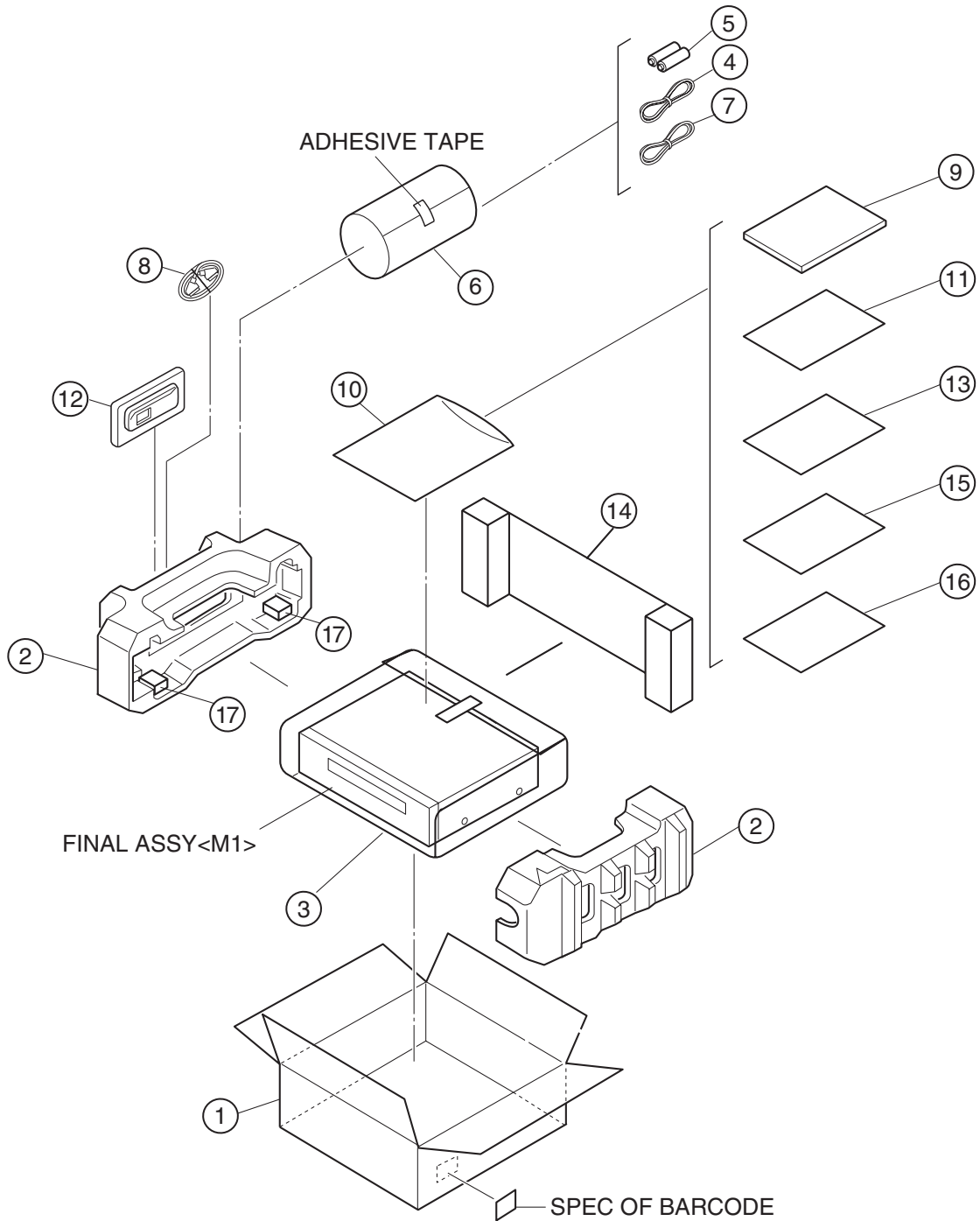
Jack board

Block No. [3][6]

△ Symbol No.	Part No.	Part Name	Description	Local
PW1	LPA10239-01A4	JACK BOARD ASSY		
CN4104	QGB2027M1-10S	CONNECTOR	B-B (1-10)	
J4112	QNZ0575-001	D CONNECTOR		
OT1	QZW0021-001	PC SUPPORT		

Packing materials and accessories parts list

Block No.M2MM



Packing and accessories

Block No. [M][2][M][M]

△ Symbol No.	Part No.	Part Name	Description	Local
1	LP31384-019A	PACKING CASE		M10BE
1	LP31384-003A	PACKING CASE		M10SE
1	LP31384-004A	PACKING CASE		M10SEF
1	LP31384-005A	PACKING CASE		M10SEK
1	LP31384-022A	PACKING CASE		M10SER
2	LP31387-001B	CUSHION ASSY		
3	PQM30021-93	POLY BAG		
4	QAM0525-002	RF CABLE		
5	-----	BATTERY	R6 TYPE(x2)	
6	QPC02202230P	POLY BAG	22cm x 22cm	
7	QAL0517-005	LED CABLE ASSY		
8	QAM0502-002	PERI CABLE		
△ 9	LPT0900-001A	INST.BOOK	(ENGLISH)	M10BE
△ 9	LPT0900-002A	INST.BOOK	(GERMANY)	M10BE
△ 9	LPT0900-003A	INST.BOOK	(FRENCH)	M10BE
△ 9	LPT0900-004A	INST.BOOK	(DUCH)	M10BE
△ 9	LPT0900-005A	INST.BOOK	(SPANISH)	M10BE
△ 9	LPT0900-006A	INST.BOOK	(ITALIAN)	M10BE
△ 9	LPT0900-007A	INST.BOOK	(DANISH)	M10BE
△ 9	LPT0900-008A	INST.BOOK	(SWEDISH)	M10BE
△ 9	LPT0900-001B	INST.BOOK	(ENGLISH)	M10SE
△ 9	LPT0900-002B	INST.BOOK	(GERMANY)	M10SE
△ 9	LPT0900-003B	INST.BOOK	(FRENCH)	M10SE
△ 9	LPT0900-004B	INST.BOOK	(DUCH)	M10SE
△ 9	LPT0900-005B	INST.BOOK	(SPANISH)	M10SE
△ 9	LPT0900-006B	INST.BOOK	(ITALIAN)	M10SE
△ 9	LPT0900-007B	INST.BOOK	(DANISH)	M10SE
△ 9	LPT0900-008B	INST.BOOK	(SWEDISH)	M10SE
△ 9	LPT0902-001A	INST.BOOK	(FRENCH)	M10SEF
△ 9	LPT0901-001B	INST.BOOK	(ENGLISH)	M10SEK
△ 9	LPT0954-001A	INST.BOOK	(RUSSIAN)	M10SER
10	QPC02503530P	POLY BAG	25cm x 35cm	
11	BT-54013-7	WARRANTY CARD		M10BE,M10SE
11	BT-54012-4	WARRANTY CARD		M10SER
12	RM-SDR008E	REMOCON		
13	BT-54008-6	GUARANTY CARD		M10SEF,M10SEK
14	LP31399-001A	SHEET ASSY		M10SEK
15	VNA3000-204	REGISTER CARD		M10SEK
16	LPT0900-009A	SHEET(FAN)		M10SER
17	LP41169-001A	SPACER	(x2)	